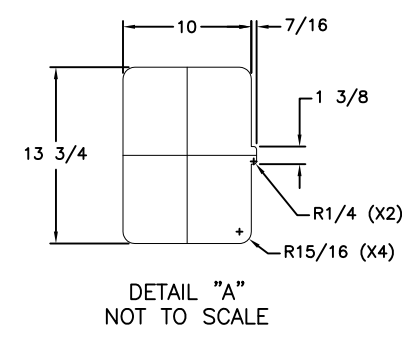
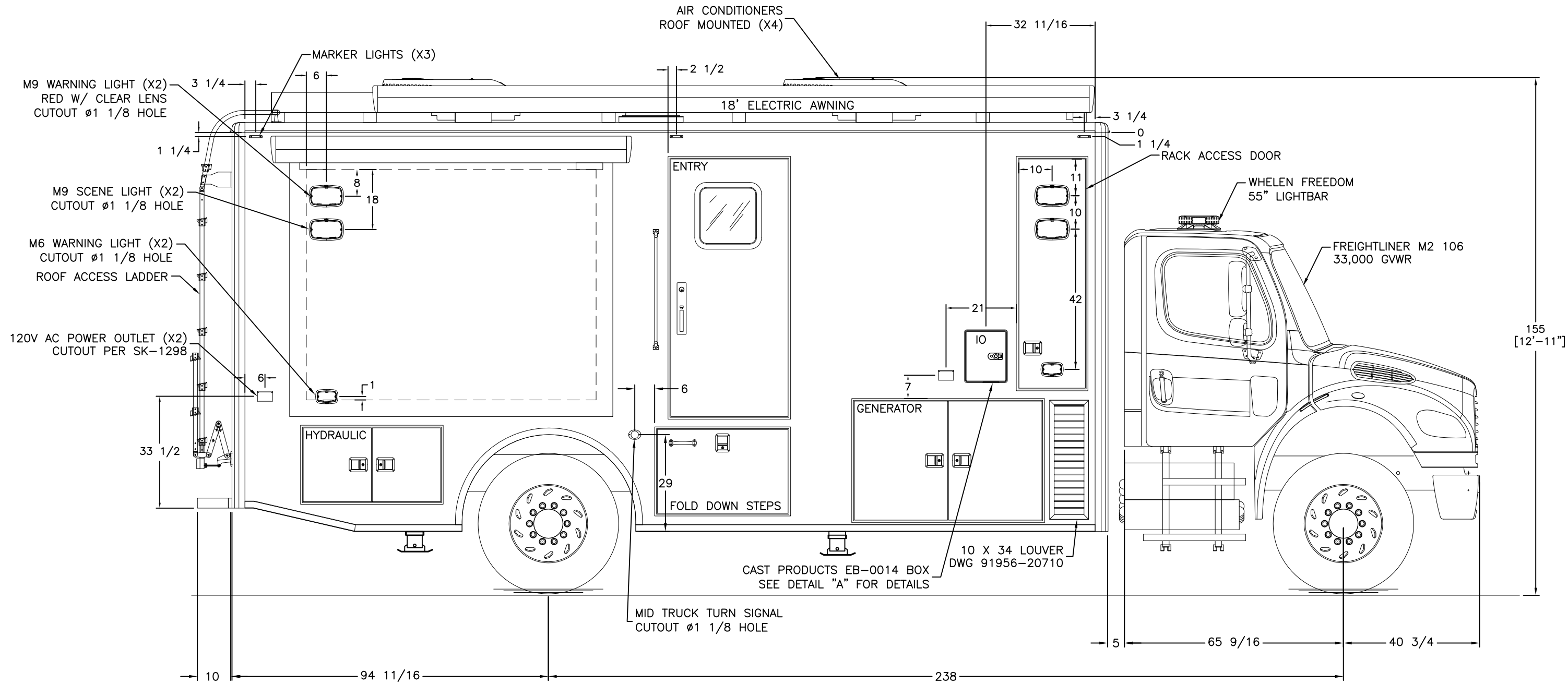


REVISIONS					
CHK DATE	CHK BY	DESCRIPTION	DATE	BY	REV
12/16/21	MLD	CHANGED TO THUMB LATCH DOOR HANDLE	12/16/21	JRP	01



THIS DRAWING IS THE PROPERTY OF FRONTLINE COMMUNICATIONS CORPORATION. IT IS CONFIDENTIAL AND ALL RIGHTS ARE RESERVED. IT SHALL NOT BE REPRODUCED, COPIED, LENT, NOR USED FOR ANY PURPOSE OTHER THAN THAT FOR WHICH IT IS SPECIFICALLY FURNISHED.

DO NOT SCALE THIS DRAWING  
DIMENSIONS ARE IN INCHES UNLESS OTHERWISE SPECIFIED  
TOLERANCES:  
ANGULAR: ± 1° BEND: ± 1°  
2 PLACE DECIMAL ± .010  
3 PLACE DECIMAL ± .005  
FRACTIONS ± 1/16

MATERIAL  
**SEE CALLOUTS**  
FINISH  
**SEE W/O**

**FRONTLINE COMMUNICATIONS**  
A Division of Pierce Manufacturing Inc.  
12770 44th Street North  
Clearwater, FL 33762-4713  
(727) 573-0400  
FAX (727) 571-3295

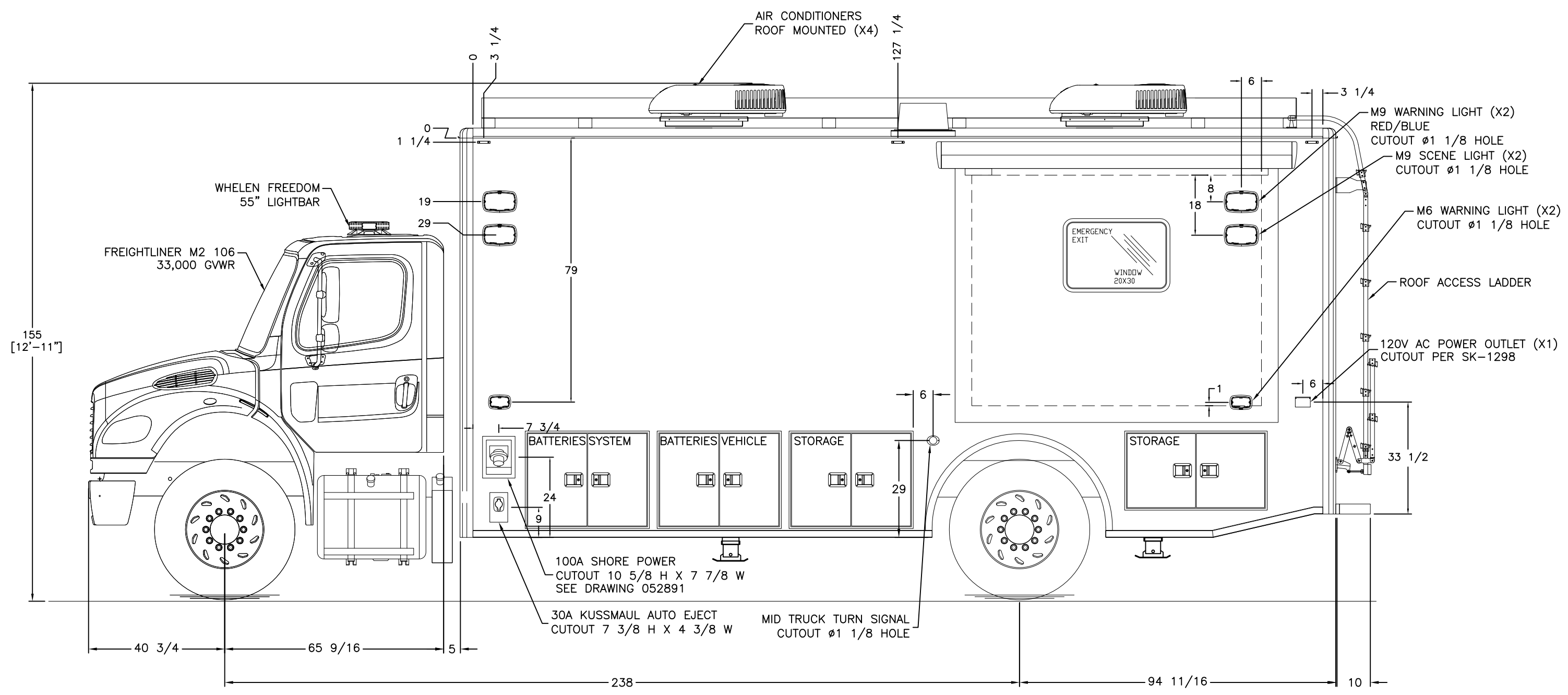
**EXTERIOR LAYOUT CURB SIDE**

JOB NUMBER OR PRODUCT LINE  
**91956**  
SHEET  
**1 OF 1**  
SCALE  
**1:30**

DRAWN BY  
**JRP**  
DATE  
**12/03/21**  
CHECKED BY  
**MRS**  
DATE  
**12/07/21**

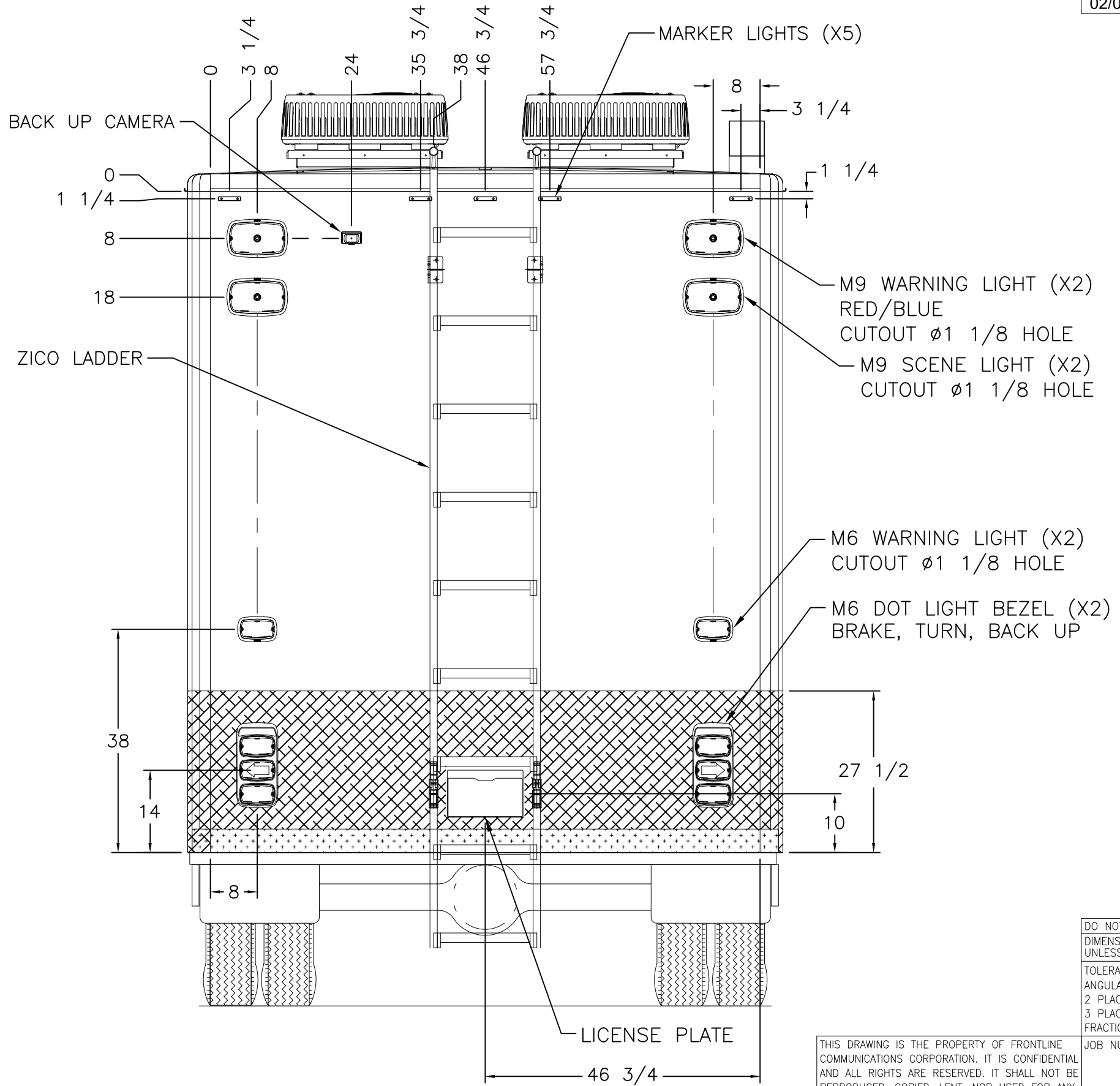
SIZE  
**B**  
DWG NO.  
**91956-50200**

REVISIONS					
CHK DATE	CHK BY	DESCRIPTION	DATE	BY	REV
12/07/21	MRS	INITIAL RELEASE	12/03/21	JRP	00



DO NOT SCALE THIS DRAWING DIMENSIONS ARE IN INCHES UNLESS OTHERWISE SPECIFIED	MATERIAL <b>SEE CALLOUTS</b>		 12770 44th Street North Clearwater, FL. 33762-4713 (727) 573-0400 FAX (727) 571-3295 <b>A Division of Pierce Manufacturing Inc.</b>	
	FINISH <b>SEE W/O</b>			
TOLERANCES: ANGULAR: ± 1° BEND: ± 1° 2 PLACE DECIMAL ± .010 3 PLACE DECIMAL ± .005 FRACTIONS ± 1/16	JOB NUMBER OR PRODUCT LINE <b>91956</b>	DRAWN BY <b>JRP</b>	DATE <b>12/03/21</b>	<b>EXTERIOR LAYOUT STREET SIDE</b>
THIS DRAWING IS THE PROPERTY OF FRONTLINE COMMUNICATIONS CORPORATION. IT IS CONFIDENTIAL AND ALL RIGHTS ARE RESERVED. IT SHALL NOT BE REPRODUCED, COPIED, LENT, NOR USED FOR ANY PURPOSE OTHER THAN THAT FOR WHICH IT IS SPECIFICALLY FURNISHED.	SHEET <b>1 OF 1</b>	SCALE <b>1:30</b>	CHECKED BY <b>MRS</b>	
			SIZE <b>B</b>	DWG NO. <b>91956-50300</b>

REVISIONS					
CHK DATE	CHK BY	DESCRIPTION	DATE	BY	REV
02/07/22	AR	ADDED BACKUP CAMERA	02/07/22	JRP	01



DO NOT SCALE THIS DRAWING  
DIMENSIONS ARE IN INCHES  
UNLESS OTHERWISE SPECIFIED

TOLERANCES:  
ANGULAR:  $\pm 1^\circ$  BEND:  $\pm 1^\circ$   
2 PLACE DECIMAL  $\pm .010$   
3 PLACE DECIMAL  $\pm .005$   
FRACTIONS  $\pm 1/16$

MATERIAL  
**SEE CALLOUTS**

FINISH  
**SEE W/O**

**FRONTLINE COMMUNICATIONS**  
A Division of Pierce Manufacturing Inc.

12770 44th Street North  
Clearwater, FL 33762-4713  
(727) 573-0400  
FAX (727) 571-3295

**EXTERIOR LAYOUT REAR WALL**

THIS DRAWING IS THE PROPERTY OF FRONTLINE COMMUNICATIONS CORPORATION. IT IS CONFIDENTIAL AND ALL RIGHTS ARE RESERVED. IT SHALL NOT BE REPRODUCED, COPIED, LENT, NOR USED FOR ANY PURPOSE OTHER THAN THAT FOR WHICH IT IS SPECIFICALLY FURNISHED.

JOB NUMBER OR PRODUCT LINE  
**91956**

SHEET  
**1 OF 1**

SCALE  
**1:20**

DRAWN BY  
**JRP**

CHECKED BY  
**MRS**

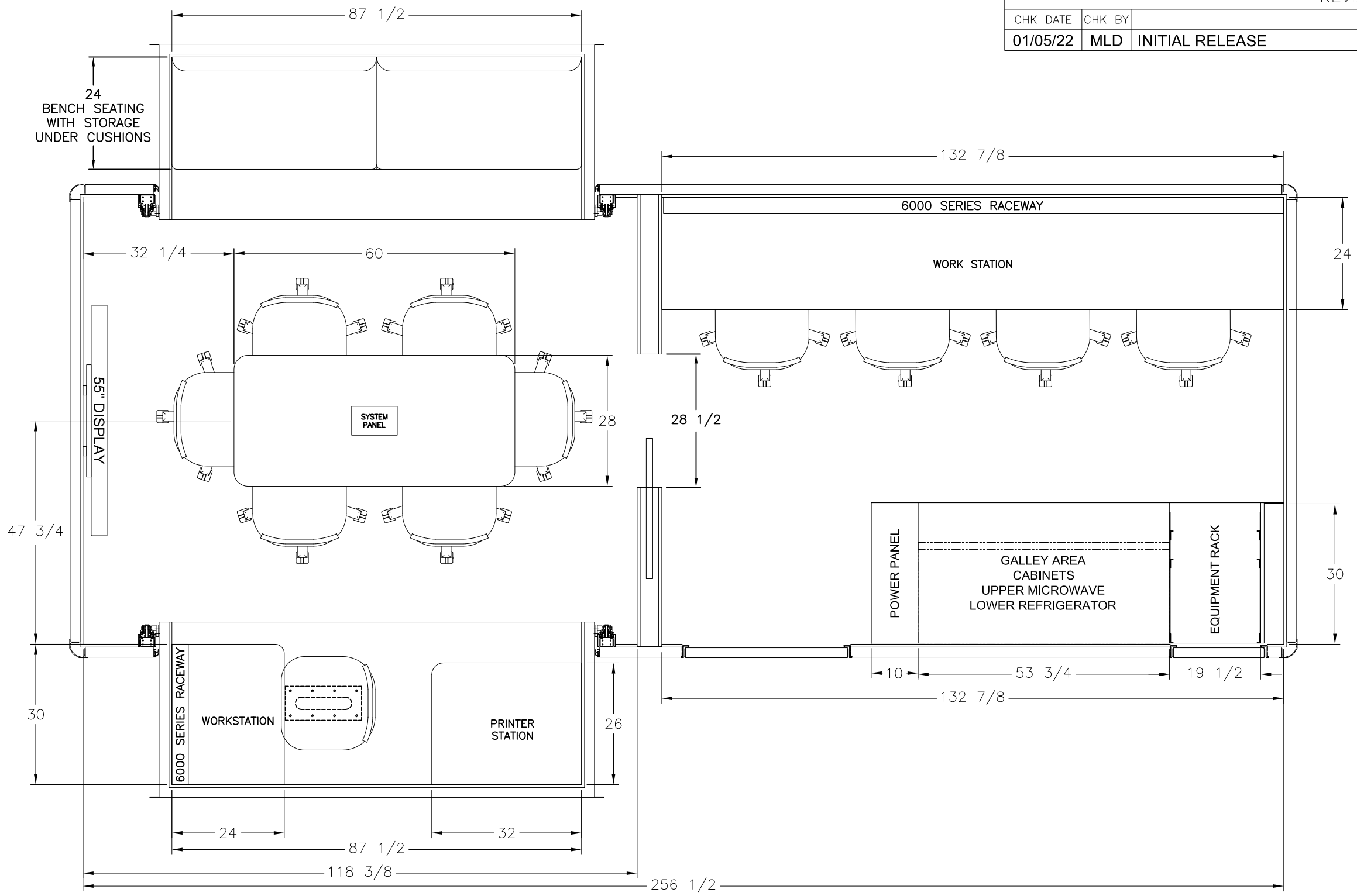
DATE  
**12/03/21**

DATE  
**12/07/21**

SIZE  
**B**

DWG NO.  
**91956-50500**

REVISIONS					
CHK DATE	CHK BY	DESCRIPTION	DATE	BY	REV
01/05/22	MLD	INITIAL RELEASE	12/28/21	JRP	00



DO NOT SCALE THIS DRAWING  
 DIMENSIONS ARE IN INCHES  
 UNLESS OTHERWISE SPECIFIED

TOLERANCES:  
 ANGULAR: ± 1° BEND: ± 1"  
 2 PLACE DECIMAL ± .010  
 3 PLACE DECIMAL ± .005  
 FRACTIONS ± 1/16

MATERIAL  
**SEE CALLOUTS**

FINISH  
**SEE W/O**

**FRONTLINE COMMUNICATIONS**  
 A Division of Pierce Manufacturing Inc.

12770 44th Street North  
 Clearwater, FL 33762-4713  
 (727) 573-0400  
 FAX (727) 571-3295

**INTERIOR LAYOUT FLOOR**

THIS DRAWING IS THE PROPERTY OF FRONTLINE COMMUNICATIONS CORPORATION. IT IS CONFIDENTIAL AND ALL RIGHTS ARE RESERVED. IT SHALL NOT BE REPRODUCED, COPIED, LENT, NOR USED FOR ANY PURPOSE OTHER THAN THAT FOR WHICH IT IS SPECIFICALLY FURNISHED.

JOB NUMBER OR PRODUCT LINE  
**91956**

SHEET  
**1 OF 1**

SCALE  
**1:24**

DRAWN BY  
**JRP**

CHECKED BY  
**MLD**

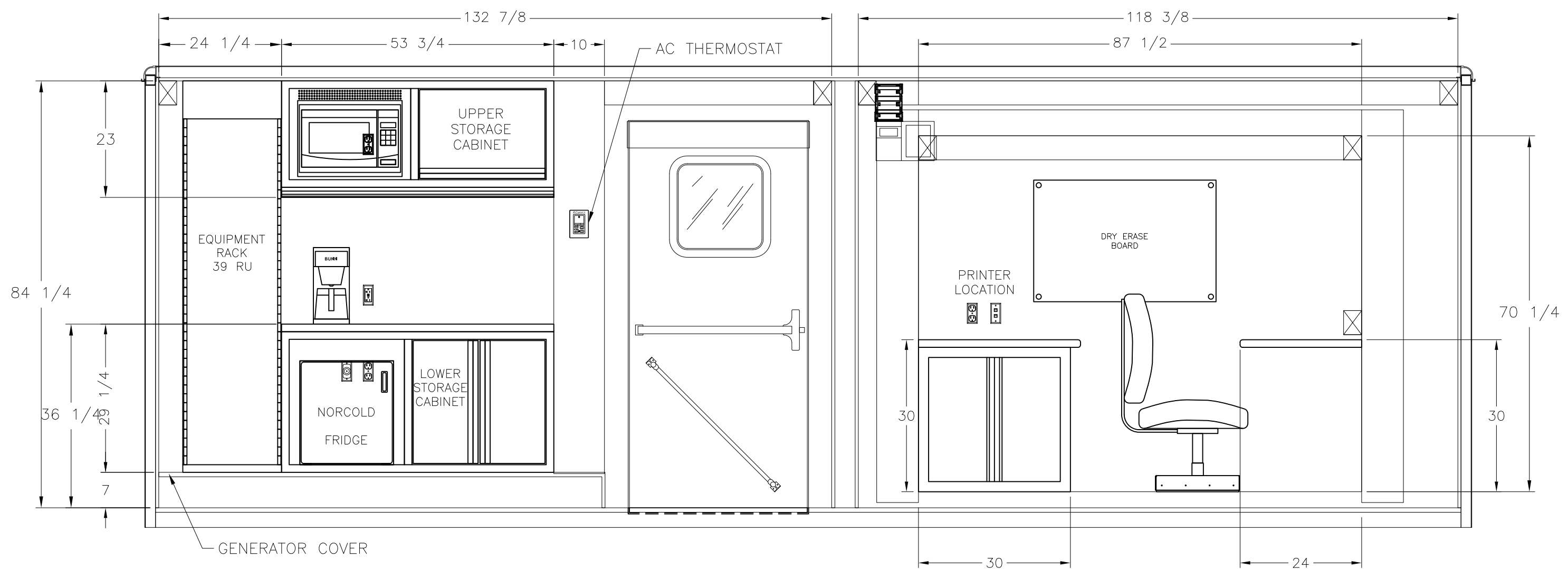
DATE  
**12/28/21**



DATE  
**01/05/22**

SIZE  
**B**


DWG NO.  
**91956-40100**

REVISIONS					
CHK DATE	CHK BY	DESCRIPTION	DATE	BY	REV
05/04/22	MD	MOVED FRIDGE OUTLETS UP 1.25"	05/04/22	JRP	01

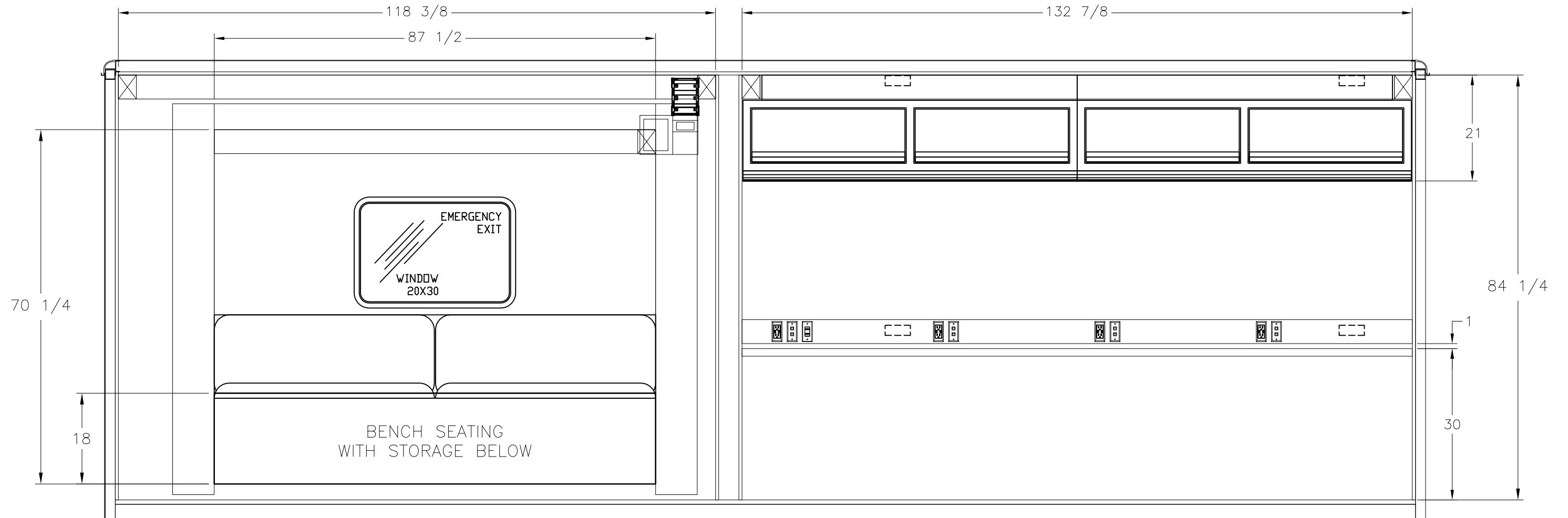





-  - NETWORK / PHONE
-  - 120V AC POWER POINT
-  - GFCI RECEPTACLE
-  - AC THERMOSTAT

THIS DRAWING IS THE PROPERTY OF FRONTLINE COMMUNICATIONS CORPORATION. IT IS CONFIDENTIAL AND ALL RIGHTS ARE RESERVED. IT SHALL NOT BE REPRODUCED, COPIED, LENT, NOR USED FOR ANY PURPOSE OTHER THAN THAT FOR WHICH IT IS SPECIFICALLY FURNISHED.

DO NOT SCALE THIS DRAWING DIMENSIONS ARE IN INCHES UNLESS OTHERWISE SPECIFIED		MATERIAL <b>SEE CALLOUTS</b>		 12770 44th Street North Clearwater, FL. 33762-4713 (727) 573-0400 FAX (727) 571-3295	
TOLERANCES: ANGULAR: ± 1° BEND: ± 1° 2 PLACE DECIMAL ± .010 3 PLACE DECIMAL ± .005 FRACTIONS ± 1/16		FINISH <b>SEE W/O</b>		<b>INTERIOR LAYOUT CURB SIDE</b>	
JOB NUMBER OR PRODUCT LINE <b>91956</b>		DRAWN BY <b>JRP</b>	DATE <b>12/28/21</b>		
SHEET <b>1 OF 1</b>		SCALE <b>1:20</b>	CHECKED BY <b>MLD</b>	DATE <b>01/05/22</b>	SIZE <b>B</b>
					DWG NO. <b>91956-40200</b>

REVISIONS							
CHK DATE	CHK BY	DESCRIPTION			DATE	BY	REV
01/05/22	MLD	INITIAL RELEASE			12/28/21	JRP	00



-  - NETWORK / PHONE
-  - 120V AC POWER POINT (DUPLEX w/ DUAL USB)
-  - LIGHTING CONTROL

DO NOT SCALE THIS DRAWING DIMENSIONS ARE IN INCHES UNLESS OTHERWISE SPECIFIED		MATERIAL <b>SEE CALLOUTS</b>		<b>FRONTLINE COMMUNICATIONS</b> <small>A Division of Pierce Manufacturing Inc.</small>		12770 44th Street North Clearwater, FL. 33762-4713 (727) 573-0400 FAX (727) 571-3295	
TOLERANCES: ANGULAR: ± 1° BEND: ± 1° 2 PLACE DECIMAL ± .010 3 PLACE DECIMAL ± .005 FRACTIONS ± 1/16		FINISH <b>SEE W/O</b>		<b>INTERIOR LAYOUT STREET SIDE</b>		SIZE <b>B</b>	
JOB NUMBER OR PRODUCT LINE <b>91956</b>		DRAWN BY <b>JRP</b>	DATE <b>12/28/21</b>			DWG NO. <b>91956-40300</b>	
THIS DRAWING IS THE PROPERTY OF FRONTLINE COMMUNICATIONS CORPORATION. IT IS CONFIDENTIAL AND ALL RIGHTS ARE RESERVED. IT SHALL NOT BE REPRODUCED, COPIED, LENT, NOR USED FOR ANY PURPOSE OTHER THAN THAT FOR WHICH IT IS SPECIFICALLY FURNISHED.		SHEET <b>1 OF 1</b>	SCALE <b>1:20</b>	CHECKED BY <b>MLD</b>	DATE <b>01/05/22</b>		