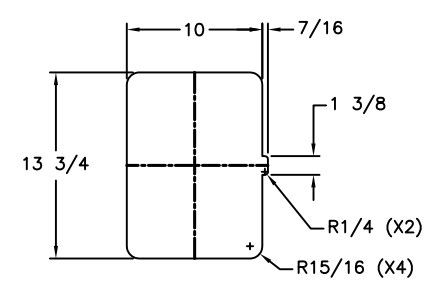
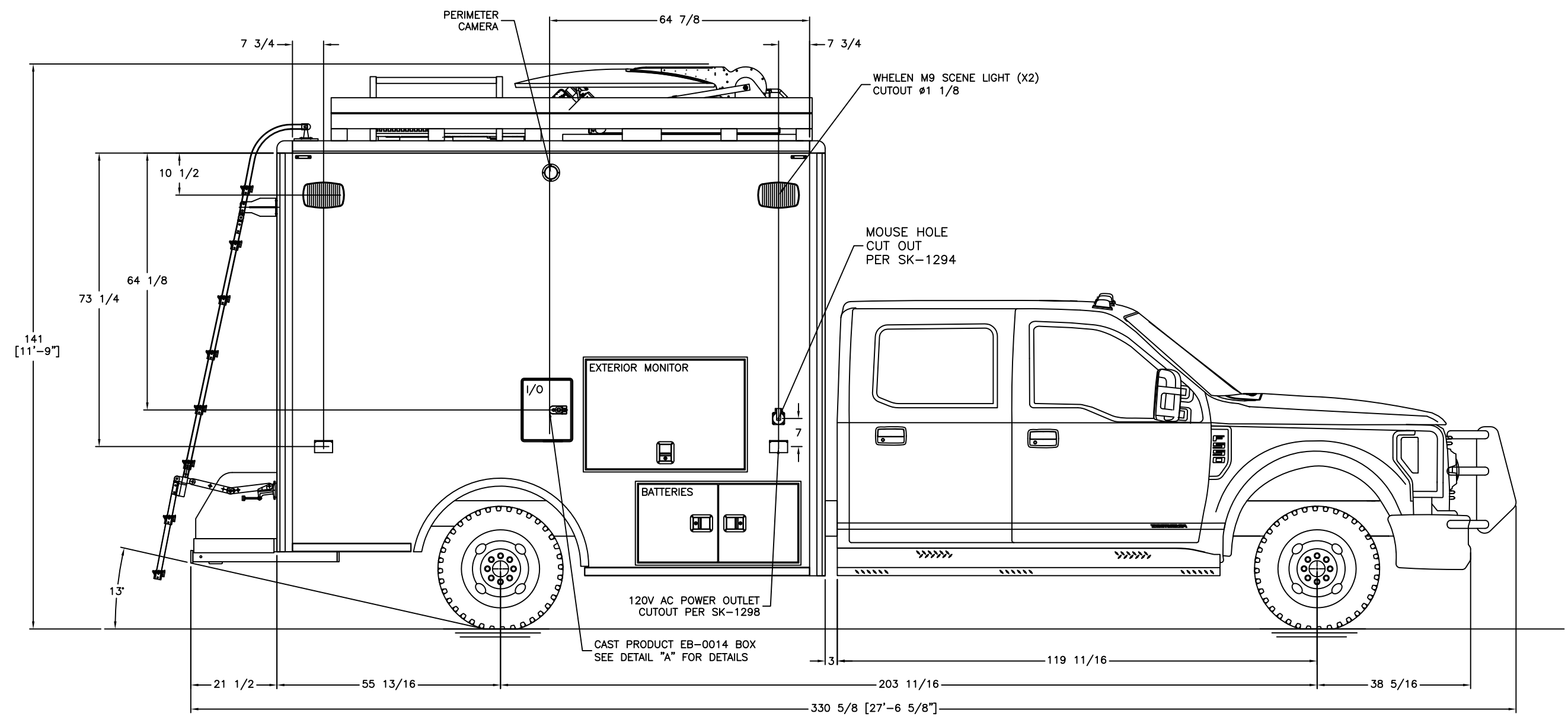



REVISIONS					
CHK DATE	CHK BY	DESCRIPTION	DATE	BY	REV
07/14/21	MRS	ADDED MOUSE HOLE	07/14/21	JAA	01

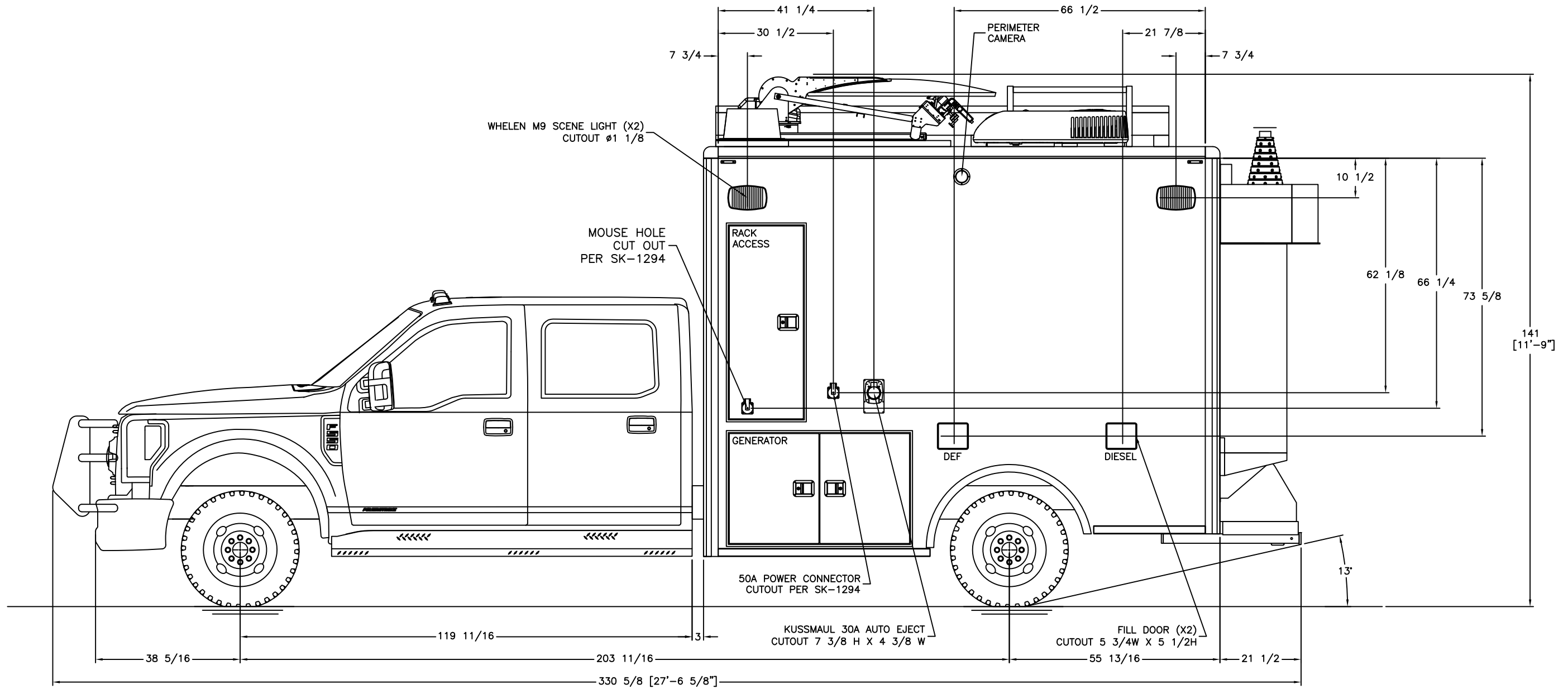


DETAIL "A"
NOT TO SCALE


THIS DRAWING IS THE PROPERTY OF FRONTLINE COMMUNICATIONS CORPORATION. IT IS CONFIDENTIAL AND ALL RIGHTS ARE RESERVED. IT SHALL NOT BE REPRODUCED, COPIED, LENT, NOR USED FOR ANY PURPOSE OTHER THAN THAT FOR WHICH IT IS SPECIFICALLY FURNISHED.

DO NOT SCALE THIS DRAWING DIMENSIONS ARE IN INCHES UNLESS OTHERWISE SPECIFIED		MATERIAL SEE NOTES		 12770 44th Street North Clearwater, FL 33762-4713 (727) 573-0400 FAX (727) 571-3295 A Division of Pierce Manufacturing Inc.	
TOLERANCES: ANGULAR: ± 1° BEND: ± 1° 2 PLACE DECIMAL ± .010 3 PLACE DECIMAL ± .005 FRACTIONS ± 1/16		FINISH MILL FINISH		EXTERIOR LAYOUT CURB SIDE	
JOB NUMBER OR PRODUCT LINE 91953-54		DRAWN BY MRS	DATE 5/14/21	SIZE B	DWG NO. 91953-50200
SHEET 1 OF 1	SCALE 30	CHECKED BY JAB	DATE 05/20/21		

REVISIONS					
CHK DATE	CHK BY	DESCRIPTION	DATE	BY	REV
7/14/21	MRS	ADDED MOUSE HOLE	7/14/21	JAA	02

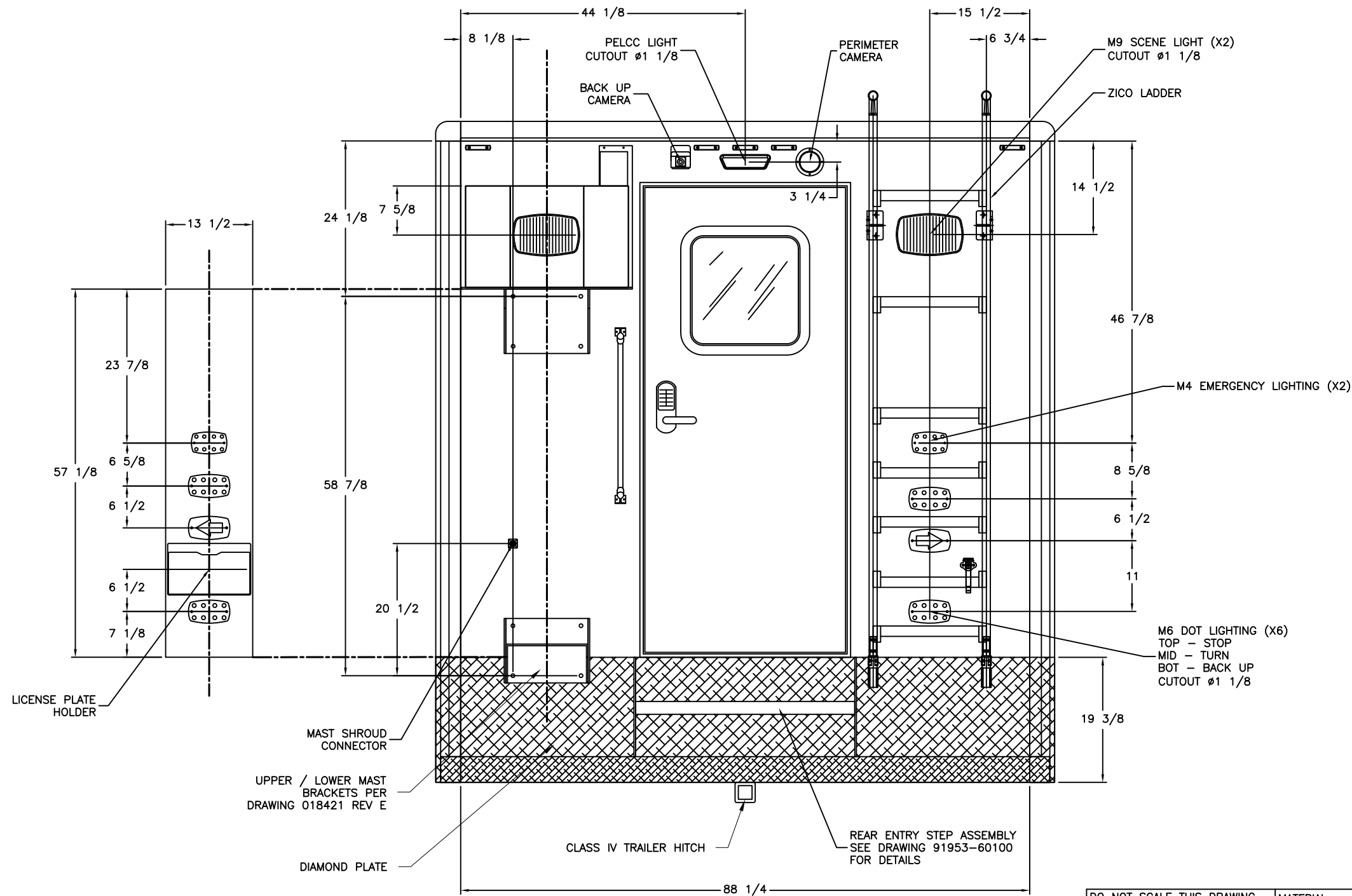


THIS DRAWING IS THE PROPERTY OF FRONTLINE COMMUNICATIONS CORPORATION. IT IS CONFIDENTIAL AND ALL RIGHTS ARE RESERVED. IT SHALL NOT BE REPRODUCED, COPIED, LENT, NOR USED FOR ANY PURPOSE OTHER THAN THAT FOR WHICH IT IS SPECIFICALLY FURNISHED.

DO NOT SCALE THIS DRAWING DIMENSIONS ARE IN INCHES UNLESS OTHERWISE SPECIFIED		MATERIAL SEE NOTES		 12770 44th Street North Clearwater, FL 33762-4713 (727) 573-0400 FAX (727) 571-3295 A Division of Pierce Manufacturing Inc.	
TOLERANCES: ANGULAR: ± 1° BEND: ± 1° 2 PLACE DECIMAL ± .010 3 PLACE DECIMAL ± .005 FRACTIONS ± 1/16		FINISH MILL FINISH		EXTERIOR LAYOUT STREET SIDE	
JOB NUMBER OR PRODUCT LINE 91953-54		DRAWN BY MRS	DATE 5/14/21	SIZE B	DWG NO. 91953-50300
SHEET 1 OF 1	SCALE 25	CHECKED BY JAB	DATE 05/20/21		

REVISIONS

CHK DATE	CHK BY	DESCRIPTION	DATE	BY	REV
8/26/21	JRP	ADDED DIAMOND PLATE DIMENSIONS	8/26/21	JAA	02



THIS DRAWING IS THE PROPERTY OF FRONTLINE COMMUNICATIONS CORPORATION. IT IS CONFIDENTIAL AND ALL RIGHTS ARE RESERVED. IT SHALL NOT BE REPRODUCED, COPIED, LENT, NOR USED FOR ANY PURPOSE OTHER THAN THAT FOR WHICH IT IS SPECIFICALLY FURNISHED.

DO NOT SCALE THIS DRAWING	
DIMENSIONS ARE IN INCHES UNLESS OTHERWISE SPECIFIED	
TOLERANCES:	
ANGULAR: ± 1°	BEND: ± 1"
2 PLACE DECIMAL	± .010
3 PLACE DECIMAL	± .005
FRACTIONS	± 1/16
JOB NUMBER OR PRODUCT LINE	
91953-54	
SHEET	SCALE
1 OF 1	20

MATERIAL	
SEE NOTES	
FINISH	
MILL FINISH	
DRAWN BY	DATE
MRS	5/17/21
CHECKED BY	DATE
JAB	05/20/21

FRONTLINE COMMUNICATIONS
A Division of Pierce Manufacturing Inc.

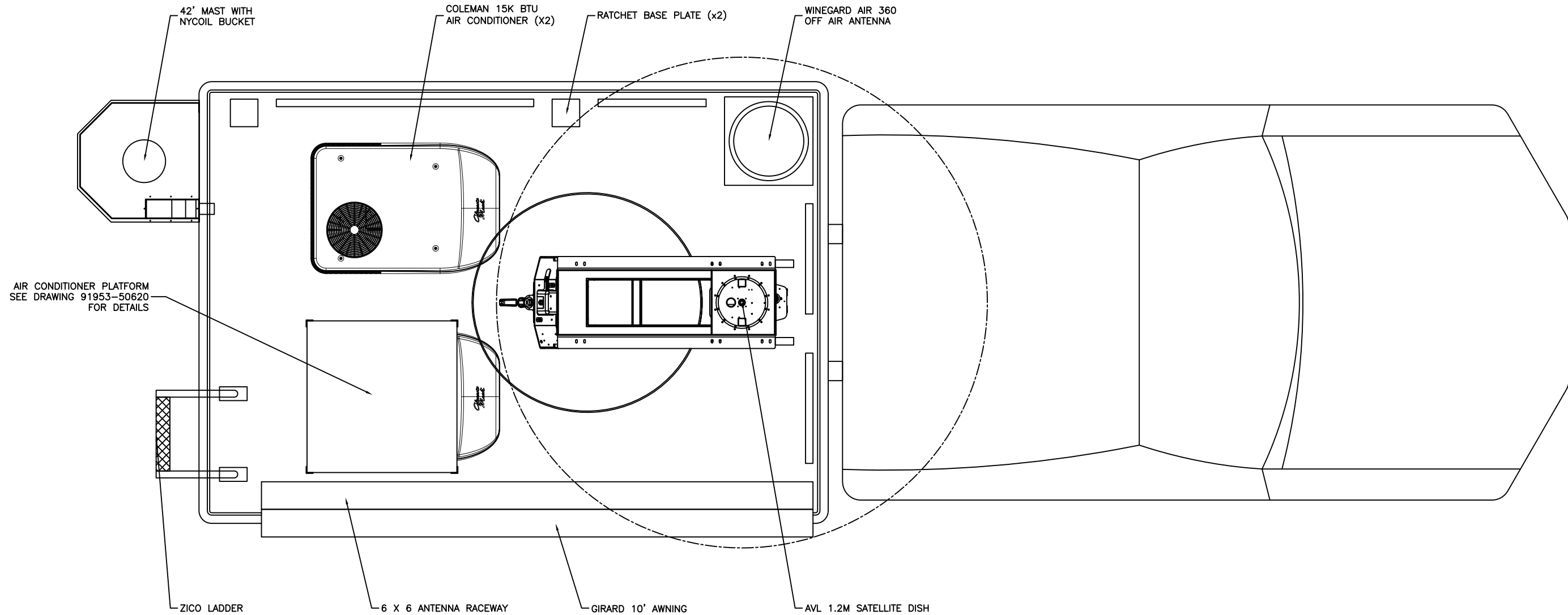
12770 44th Street North
Clearwater, FL 33762-4713
(727) 573-0400
FAX (727) 571-3295

EXTERIOR LAYOUT REAR WALL


SIZE	DWG NO.
B	91953-50500

REVISIONS

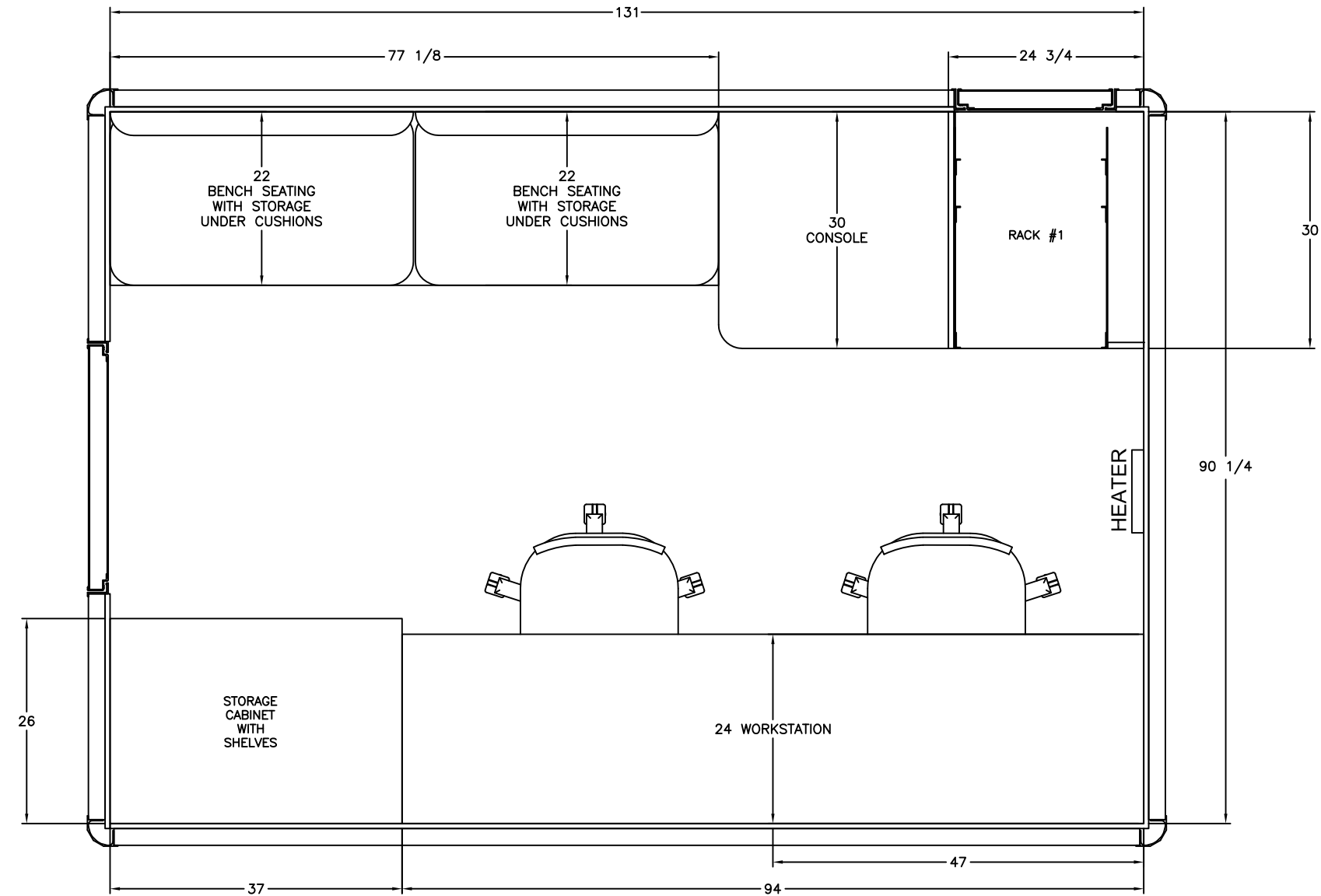
CHK DATE	CHK BY	DESCRIPTION	DATE	BY	REV
05/20/21	JAB	ENGINEERING RELEASE	5/17/21	MRS	00




THIS DRAWING IS THE PROPERTY OF FRONTLINE COMMUNICATIONS CORPORATION. IT IS CONFIDENTIAL AND ALL RIGHTS ARE RESERVED. IT SHALL NOT BE REPRODUCED, COPIED, LENT, NOR USED FOR ANY PURPOSE OTHER THAN THAT FOR WHICH IT IS SPECIFICALLY FURNISHED.

DO NOT SCALE THIS DRAWING DIMENSIONS ARE IN INCHES UNLESS OTHERWISE SPECIFIED		MATERIAL SEE NOTES		 12770 44th Street North Clearwater, FL 33762-4713 (727) 573-0400 A Division of Pierce Manufacturing Inc. FAX (727) 571-3295	
TOLERANCES: ANGULAR: ± 1° BEND: ± 1" 2 PLACE DECIMAL ± .010 3 PLACE DECIMAL ± .005 FRACTIONS ± 1/16		FINISH MILL FINISH			
JOB NUMBER OR PRODUCT LINE 91953-54		DRAWN BY MRS	DATE 5/17/21	EXTERIOR LAYOUT ROOF TOP	
SHEET 1 OF 2	SCALE 25	CHECKED BY JAB	DATE 05/20/21		

REVISIONS						
CHK DATE	CHK BY	DESCRIPTION		DATE	BY	REV
7/15/21	MRS	ENGINEERING RELEASE		6/4/21	JAA	00



THIS DRAWING IS THE PROPERTY OF FRONTLINE COMMUNICATIONS CORPORATION. IT IS CONFIDENTIAL AND ALL RIGHTS ARE RESERVED. IT SHALL NOT BE REPRODUCED, COPIED, LENT, NOR USED FOR ANY PURPOSE OTHER THAN THAT FOR WHICH IT IS SPECIFICALLY FURNISHED.

DO NOT SCALE THIS DRAWING DIMENSIONS ARE IN INCHES UNLESS OTHERWISE SPECIFIED		MATERIAL SEE CUT LIST		 12770 44th Street North Clearwater, FL 33762-4713 (727) 573-0400 A Division of Pierce Manufacturing Inc. FAX (727) 571-3295	
TOLERANCES: ANGULAR: ± 1° BEND: ± 1° 2 PLACE DECIMAL ± .010 3 PLACE DECIMAL ± .005 FRACTIONS ± 1/16		FINISH MILL FINISH		INTERIOR DETAIL FLOOR	
JOB NUMBER OR PRODUCT LINE 91953-54		DRAWN BY JAA	DATE 6/4/21		
SHEET 1 OF 1	SCALE 20	CHECKED BY MRS	DATE 7/15/21	SIZE B	DWG NO. 91953-40100