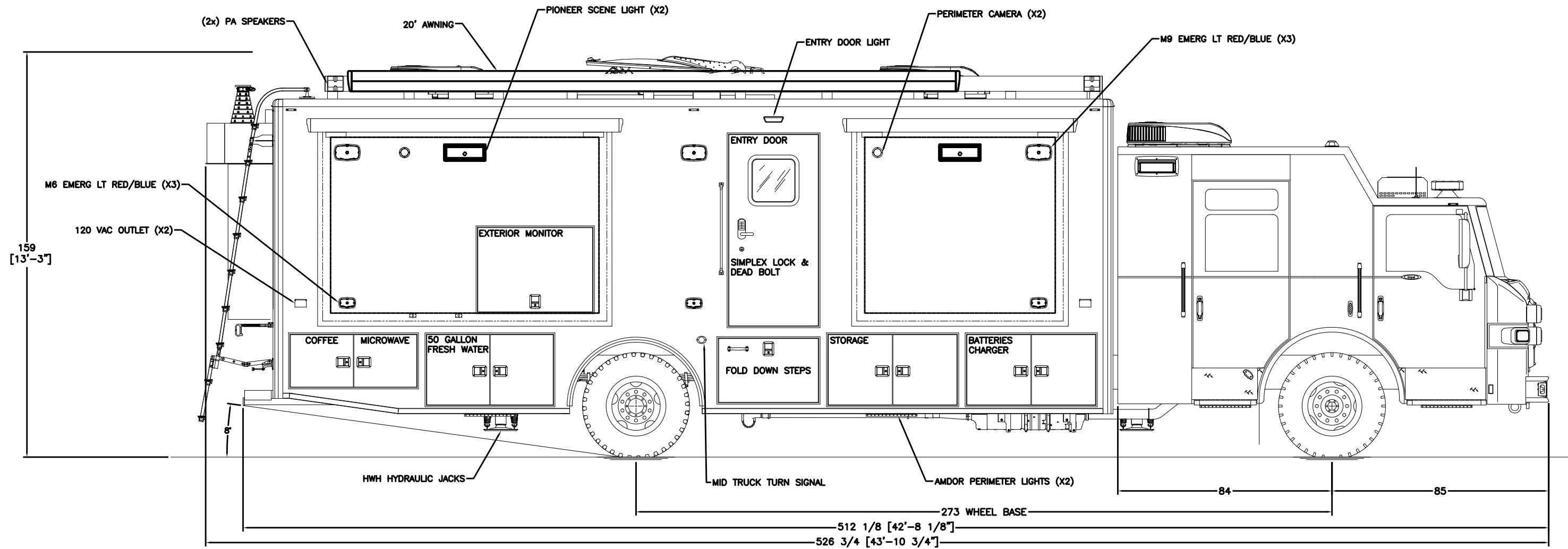


REVISIONS							
CHK DATE	CHK BY	DESCRIPTION			DATE	BY	REV
05/31/22	PJS	INITIAL RELEASE			05/19/22	JRP	00



DO NOT SCALE THIS DRAWING
 DIMENSIONS ARE IN INCHES
 UNLESS OTHERWISE SPECIFIED

TOLERANCES:
 ANGULAR: ± 1° BEND: ± 1°
 2 PLACE DECIMAL ± .010
 3 PLACE DECIMAL ± .005
 FRACTIONS ± 1/16

MATERIAL
SEE CALLOUTS

FINISH
SEE W/O

FRONTLINE COMMUNICATIONS
 A Division of Pierce Manufacturing Inc.

12770 44th Street North
 Clearwater, FL 33762-4713
 (727) 573-0400
 FAX (727) 571-3295

EXTERIOR LAYOUT CURB SIDE

THIS DRAWING IS THE PROPERTY OF FRONTLINE COMMUNICATIONS CORPORATION. IT IS CONFIDENTIAL AND ALL RIGHTS ARE RESERVED. IT SHALL NOT BE REPRODUCED, COPIED, LENT, NOR USED FOR ANY PURPOSE OTHER THAN THAT FOR WHICH IT IS SPECIFICALLY FURNISHED.

JOB NUMBER OR PRODUCT LINE
91971

SHEET
1 OF 1

SCALE
1:40

DRAWN BY
JRP

CHECKED BY
PJS

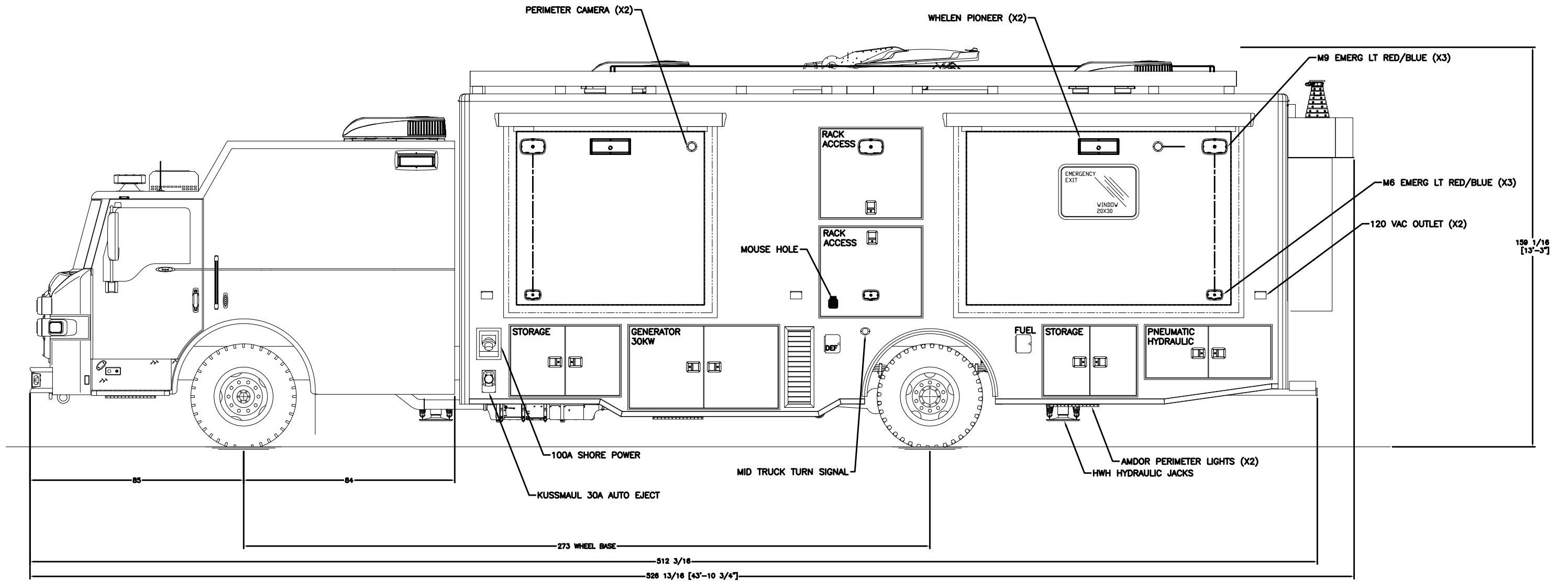
DATE
05/19/22

DATE
05/31/22

SIZE
B

DWG NO.
91971-50200

REVISIONS					
CHK DATE	CHK BY	DESCRIPTION	DATE	BY	REV
03/13/23	MLD	ADD MOUSEHOLE	03/13/23	JRP	01



DO NOT SCALE THIS DRAWING
 DIMENSIONS ARE IN INCHES
 UNLESS OTHERWISE SPECIFIED

TOLERANCES:
 ANGULAR: ± 1° BEND: ± 1°
 2 PLACE DECIMAL ± .010
 3 PLACE DECIMAL ± .005
 FRACTIONS ± 1/16

MATERIAL
SEE CALLOUTS

FINISH
SEE W/O

FRONTLINE COMMUNICATIONS
 A Division of Pierce Manufacturing Inc.

12770 44th Street North
 Clearwater, FL 33762-4713
 (727) 573-0400
 FAX (727) 571-3295

THIS DRAWING IS THE PROPERTY OF FRONTLINE COMMUNICATIONS CORPORATION. IT IS CONFIDENTIAL AND ALL RIGHTS ARE RESERVED. IT SHALL NOT BE REPRODUCED, COPIED, LENT, NOR USED FOR ANY PURPOSE OTHER THAN THAT FOR WHICH IT IS SPECIFICALLY FURNISHED.

JOB NUMBER OR PRODUCT LINE
91971

SHEET
1 OF 1

SCALE
1:40

DRAWN BY
JRP

CHECKED BY
PJS

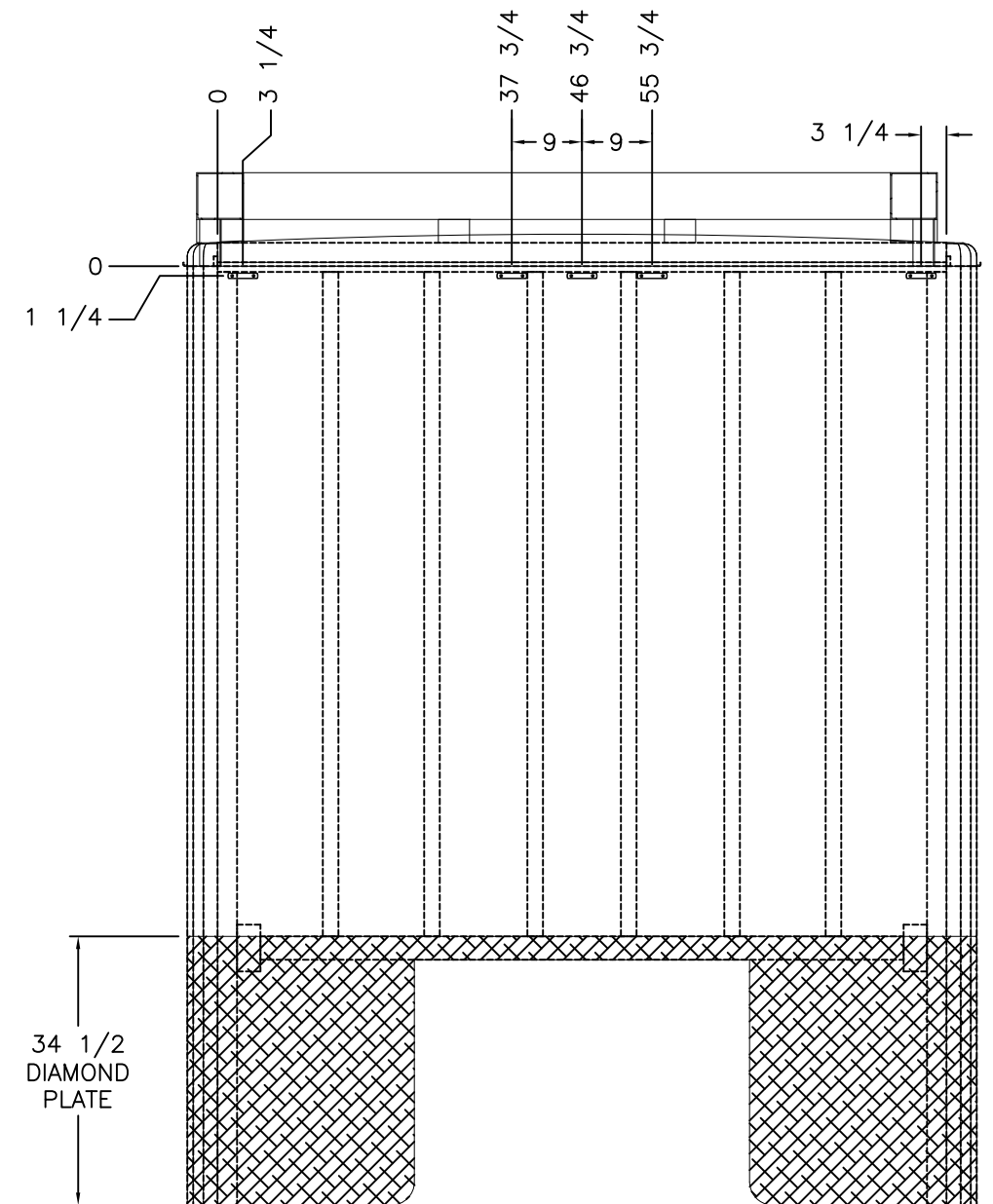
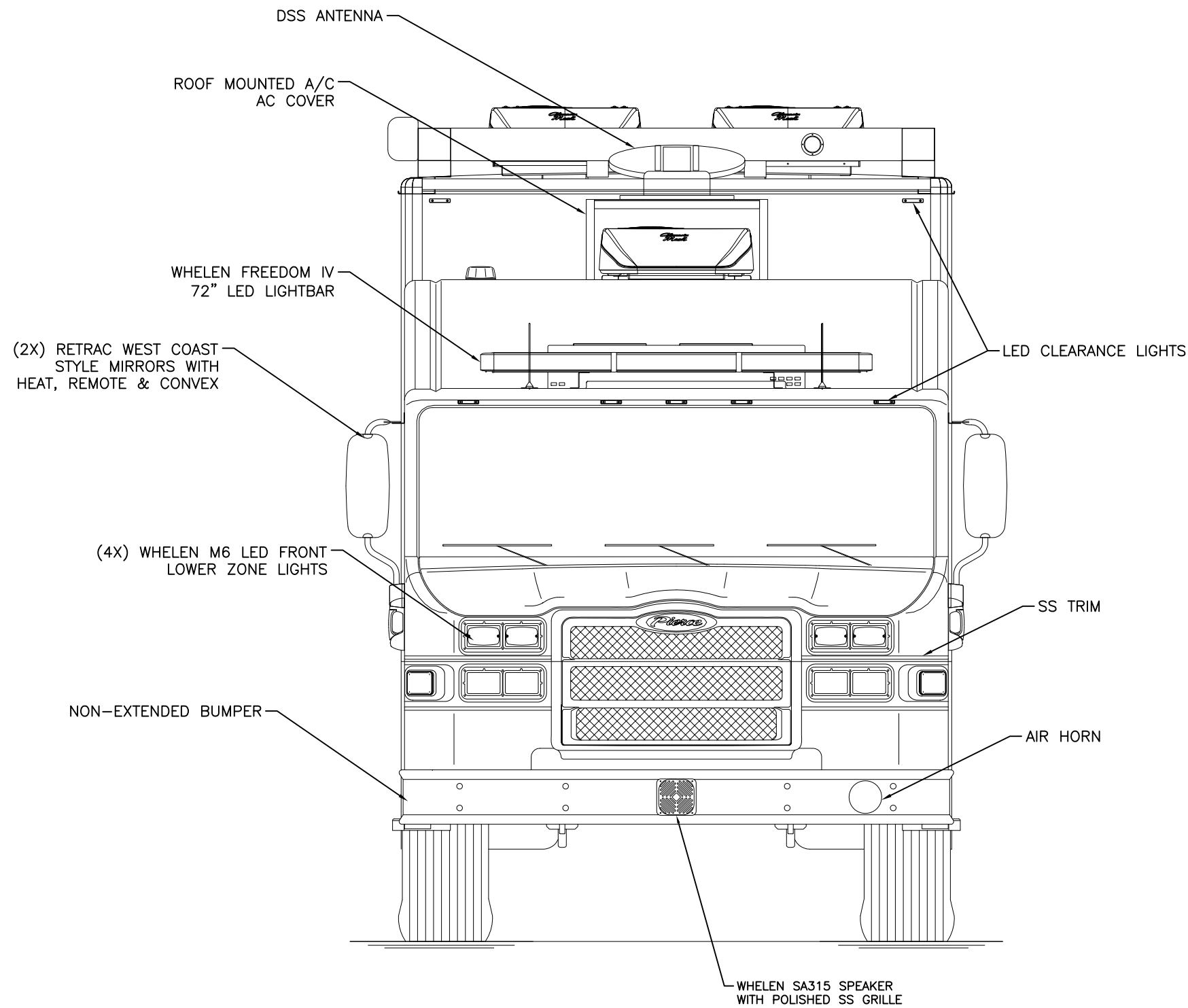
DATE
05/19/22

DATE
05/31/22

EXTERIOR LAYOUT STREET SIDE

SIZE **B** DWG NO. **91971-50300**

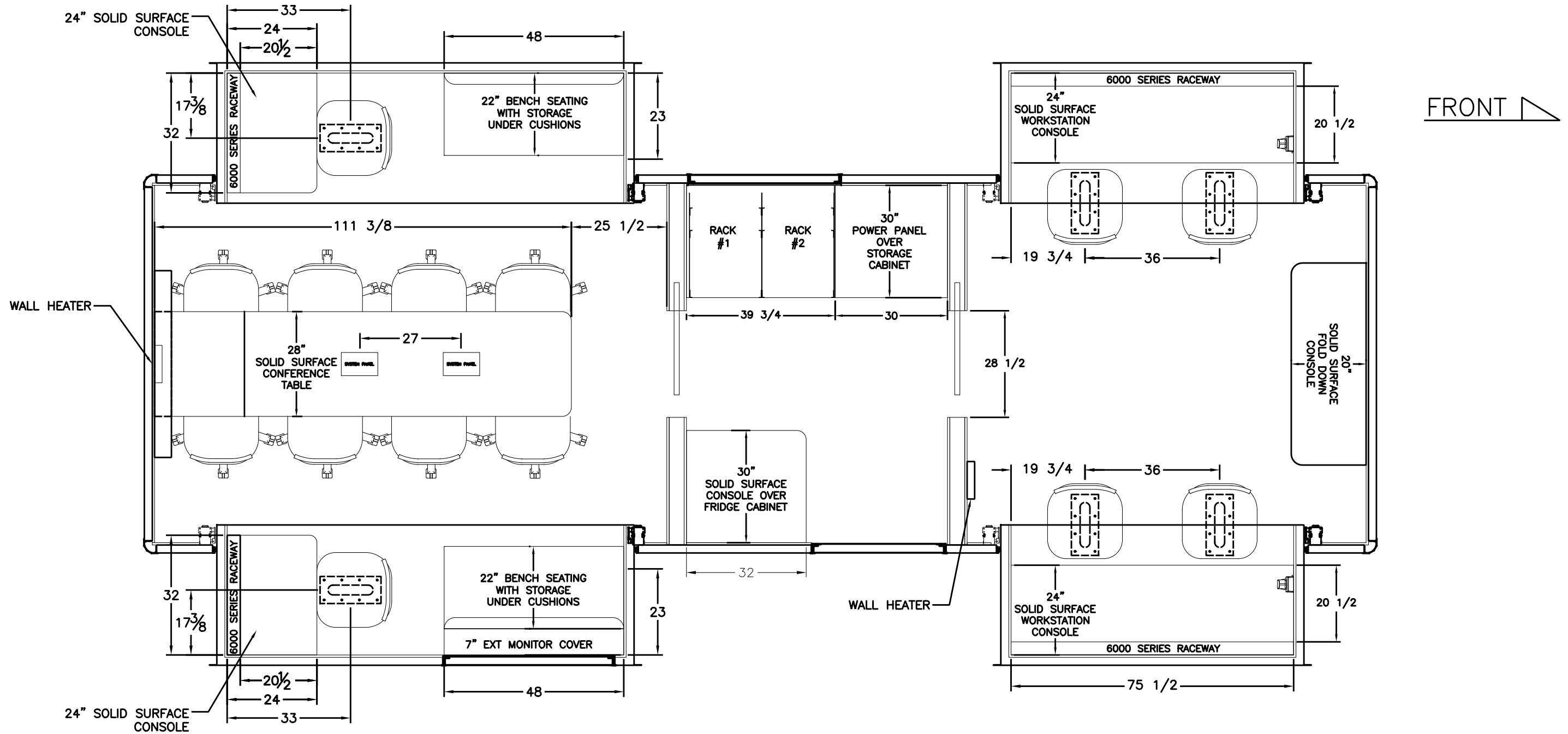
REVISIONS					
CHK DATE	CHK BY	DESCRIPTION	DATE	BY	REV
05/31/22	PJS	INITIAL RELEASE	05/19/22	JRP	00



THIS DRAWING IS THE PROPERTY OF FRONTLINE COMMUNICATIONS CORPORATION. IT IS CONFIDENTIAL AND ALL RIGHTS ARE RESERVED. IT SHALL NOT BE REPRODUCED, COPIED, LENT, NOR USED FOR ANY PURPOSE OTHER THAN THAT FOR WHICH IT IS SPECIFICALLY FURNISHED.

DO NOT SCALE THIS DRAWING DIMENSIONS ARE IN INCHES UNLESS OTHERWISE SPECIFIED		MATERIAL SEE CALLOUTS		FRONTLINE COMMUNICATIONS <small>A Division of Pierce Manufacturing Inc.</small> 12770 44th Street North Clearwater, FL 33762-4713 (727) 573-0400 FAX (727) 571-3295	
TOLERANCES: ANGULAR: ± 1° BEND: ± 1° 2 PLACE DECIMAL ± .010 3 PLACE DECIMAL ± .005 FRACTIONS ± 1/16		FINISH SEE W/O		EXTERIOR LAYOUT FRONT	
JOB NUMBER OR PRODUCT LINE 91971		DRAWN BY JRP	DATE 05/19/22		
SHEET 1 OF 1	SCALE 1:24	CHECKED BY PJS	DATE 05/31/22	SIZE B	DWG NO. 91971-50400

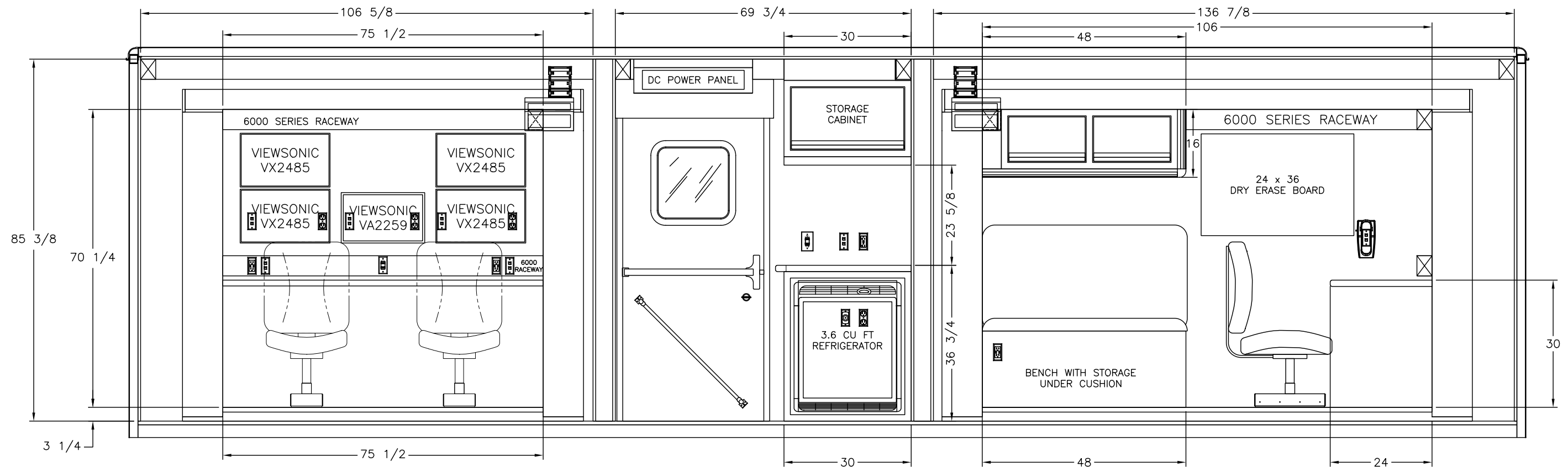
REVISIONS						
CHK	DATE	CHK BY	DESCRIPTION	DATE	BY	REV
02/10/23		JAA	EXTENDED CONFERENCE TABLE TO REAR WALL	02/10/23	JRP	02





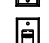
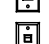


DO NOT SCALE THIS DRAWING DIMENSIONS ARE IN INCHES UNLESS OTHERWISE SPECIFIED	MATERIAL	N/A		FRONTLINE COMMUNICATIONS <small>A Division of Pierce Manufacturing Inc.</small>	12770 44th Street North Clearwater, FL 33762-4713 (727) 573-0400 FAX (727) 571-3295
	FINISH	N/A			
TOLERANCES: ANGULAR: ± 1° BEND: ± 1" 2 PLACE DECIMAL ± .010 3 PLACE DECIMAL ± .005 FRACTIONS ± 1/16	JOB NUMBER OR PRODUCT LINE	DRAWN BY	DATE	SIZE	DWG NO.
	91971	JRP	05/31/22	B	91971-40100
	SHEET 1 OF 1	CHECKED BY	DATE		
	SCALE 1:28	PJS	05/31/22		


THIS DRAWING IS THE PROPERTY OF FRONTLINE COMMUNICATIONS CORPORATION. IT IS CONFIDENTIAL AND ALL RIGHTS ARE RESERVED. IT SHALL NOT BE REPRODUCED, COPIED, LENT, NOR USED FOR ANY PURPOSE OTHER THAN THAT FOR WHICH IT IS SPECIFICALLY FURNISHED.

REVISIONS					
CHK DATE	CHK BY	DESCRIPTION	DATE	BY	REV
02/20/23	JAA	ADDED CABINET OVER BENCH	02/20/23	JRP	02

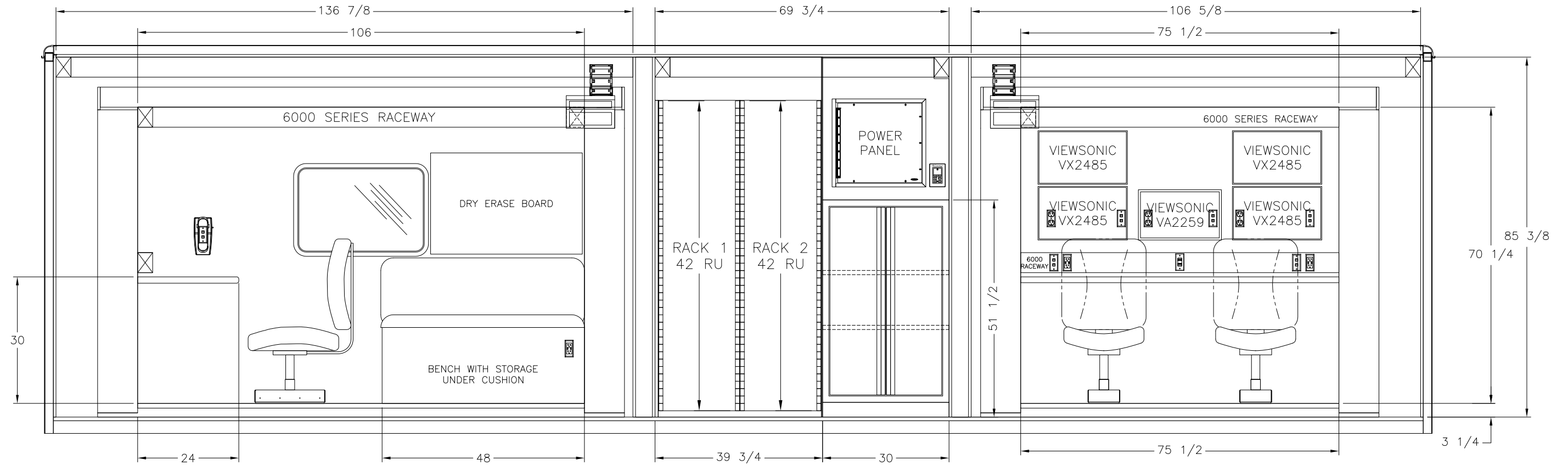


-  - GALLEY AREA LIGHT SWITCH
-  - 120V AC POWER POINT (DUPLEX w/ DUAL USB)
-  - 120 VAC POWER POINT
-  - 12VDC POWER POINT
-  - LIGHTING CONTROL
-  - LOW VOLTAGE DEVICE RING (SYSTEMS WIRING)

THIS DRAWING IS THE PROPERTY OF FRONTLINE COMMUNICATIONS CORPORATION. IT IS CONFIDENTIAL AND ALL RIGHTS ARE RESERVED. IT SHALL NOT BE REPRODUCED, COPIED, LENT, NOR USED FOR ANY PURPOSE OTHER THAN THAT FOR WHICH IT IS SPECIFICALLY FURNISHED.

DO NOT SCALE THIS DRAWING DIMENSIONS ARE IN INCHES UNLESS OTHERWISE SPECIFIED		MATERIAL SEE CALLOUTS		 12770 44th Street North Clearwater, FL. 33762-4713 (727) 573-0400 FAX (727) 571-3295	
TOLERANCES: ANGULAR: ± 1° BEND: ± 1° 2 PLACE DECIMAL ± .010 3 PLACE DECIMAL ± .005 FRACTIONS ± 1/16		FINISH SEE W/O		INTERIOR LAYOUT CURB SIDE	
JOB NUMBER OR PRODUCT LINE 91971		DRAWN BY JRP	DATE 05/19/22		
SHEET 1 OF 1	SCALE 1:25	CHECKED BY PJS	DATE 05/31/22	SIZE B	DWG NO. 91971-40200

REVISIONS					
CHK DATE	CHK BY	DESCRIPTION	DATE	BY	REV
09/09/22	PJS	MOVED DRY ERASE BOARD OVER BENCH	09/09/22	JRP	01



- 120V AC POWER POINT (DUPLEX w/ DUAL USB)
- 120 VAC POWER POINT
- LIGHTING CONTROL
- LOW VOLTAGE DEVICE RING (SYSTEMS WIRING)
- AC THERMOSTAT

DO NOT SCALE THIS DRAWING
DIMENSIONS ARE IN INCHES
UNLESS OTHERWISE SPECIFIED

TOLERANCES:
ANGULAR: ± 1° BEND: ± 1"
2 PLACE DECIMAL ± .010
3 PLACE DECIMAL ± .005
FRACTIONS ± 1/16

MATERIAL
SEE CALLOUTS

FINISH
SEE W/O

FRONTLINE COMMUNICATIONS
A Division of Pierce Manufacturing Inc.

12770 44th Street North
Clearwater, FL 33762-4713
(727) 573-0400
FAX (727) 571-3295

INTERIOR LAYOUT STREET SIDE

THIS DRAWING IS THE PROPERTY OF FRONTLINE COMMUNICATIONS CORPORATION. IT IS CONFIDENTIAL AND ALL RIGHTS ARE RESERVED. IT SHALL NOT BE REPRODUCED, COPIED, LENT, NOR USED FOR ANY PURPOSE OTHER THAN THAT FOR WHICH IT IS SPECIFICALLY FURNISHED.

JOB NUMBER OR PRODUCT LINE
91971

SHEET
1 OF 1

SCALE
1:25

DRAWN BY
JRP

CHECKED BY
PJS

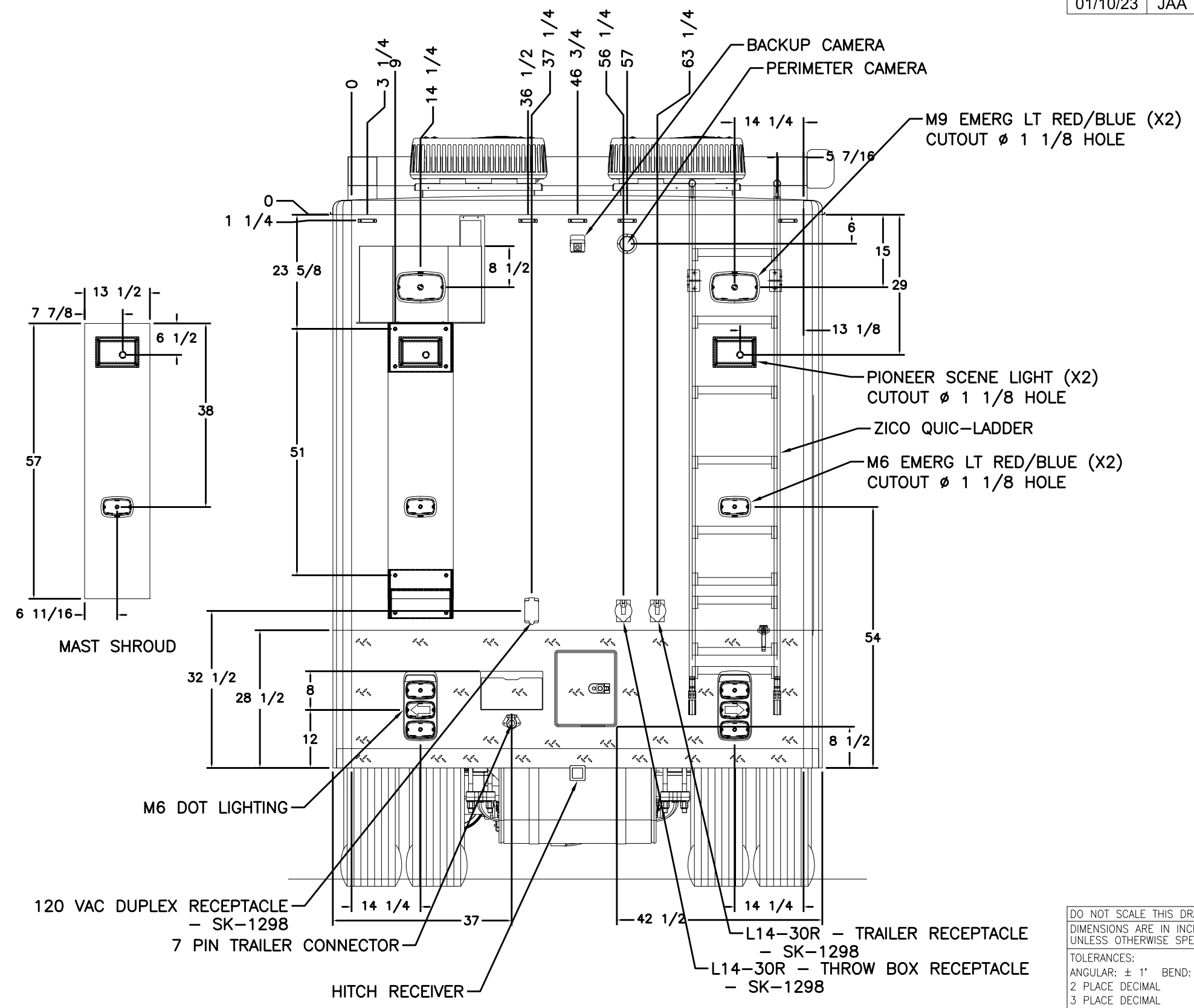
DATE
05/19/22

DATE
05/31/22

SIZE
B

DWG NO.
91971-40300

REVISIONS					
CHK DATE	CHK BY	DESCRIPTION	DATE	BY	REV
01/10/23	JAA	ADDED MARKER LIGHTS	01/10/23	JRP	02



DO NOT SCALE THIS DRAWING
 DIMENSIONS ARE IN INCHES
 UNLESS OTHERWISE SPECIFIED

TOLERANCES:
 ANGULAR: ± 1° BEND: ± 1°
 2 PLACE DECIMAL ± .010
 3 PLACE DECIMAL ± .005
 FRACTIONS ± 1/16

MATERIAL
SEE CALLOUTS

FINISH
SEE W/O

JOB NUMBER OR PRODUCT LINE
91971

DRAWN BY
JRP

DATE
05/19/22

CHECKED BY
PJS

DATE
05/31/22

FRONTLINE COMMUNICATIONS
 A Division of Pierce Manufacturing Inc.

12770 44th Street North
 Clearwater, FL. 33762-4713
 (727) 573-0400
 FAX (727) 571-3295

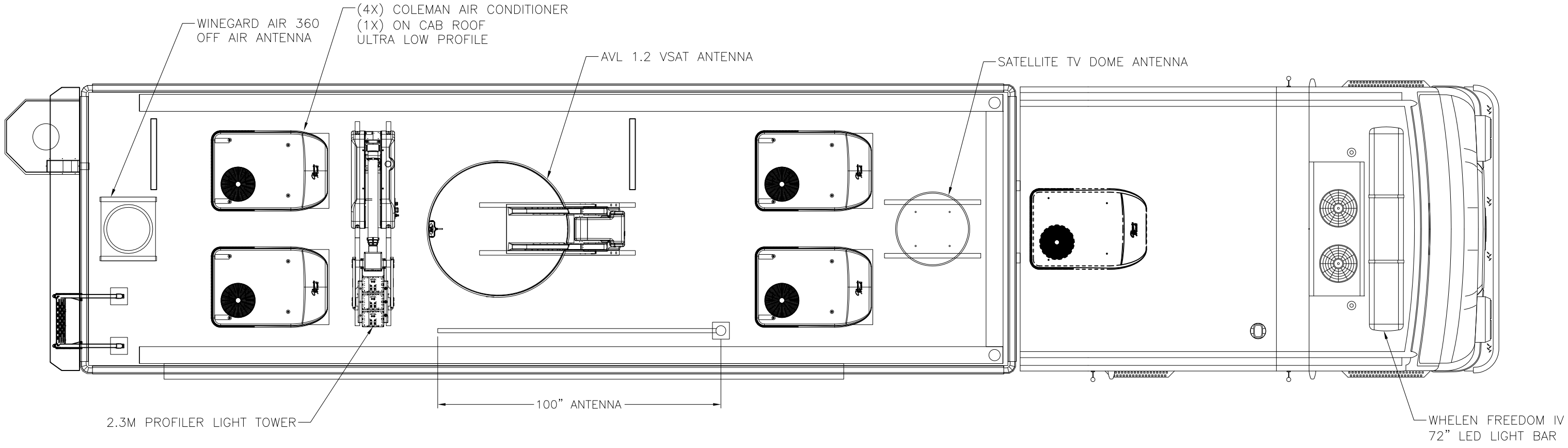
EXTERIOR LAYOUT REAR

SIZE **B** DWG NO. **91971-50500**

THIS DRAWING IS THE PROPERTY OF FRONTLINE COMMUNICATIONS CORPORATION. IT IS CONFIDENTIAL AND ALL RIGHTS ARE RESERVED. IT SHALL NOT BE REPRODUCED, COPIED, LENT, NOR USED FOR ANY PURPOSE OTHER THAN THAT FOR WHICH IT IS SPECIFICALLY FURNISHED.

SHEET **1 OF 1** SCALE **1:24**

REVISIONS					
CHK DATE	CHK BY	DESCRIPTION	DATE	BY	REV
01/03/23	JAA	ADDED LENGTH TO LIGHT MOUNT	01/03/23	JRP	01



DO NOT SCALE THIS DRAWING
 DIMENSIONS ARE IN INCHES
 UNLESS OTHERWISE SPECIFIED

TOLERANCES:
 ANGULAR: ± 1° BEND: ± 1"
 2 PLACE DECIMAL ± .010
 3 PLACE DECIMAL ± .005
 FRACTIONS ± 1/16

MATERIAL
SEE CALLOUTS

FINISH
SEE W/O

FRONTLINE COMMUNICATIONS
 A Division of Pierce Manufacturing Inc.

12770 44th Street North
 Clearwater, FL 33762-4713
 (727) 573-0400
 FAX (727) 571-3295

THIS DRAWING IS THE PROPERTY OF FRONTLINE COMMUNICATIONS CORPORATION. IT IS CONFIDENTIAL AND ALL RIGHTS ARE RESERVED. IT SHALL NOT BE REPRODUCED, COPIED, LENT, NOR USED FOR ANY PURPOSE OTHER THAN THAT FOR WHICH IT IS SPECIFICALLY FURNISHED.

JOB NUMBER OR PRODUCT LINE
91971

SHEET
1 OF 2

SCALE
1:35

DRAWN BY
JRP

DATE
05/19/22

CHECKED BY
PJS

DATE
05/31/22

EXTERIOR LAYOUT ROOF

SIZE **B** DWG NO. **91971-50600**