

MANUFACTURING, INC

**SAINT FRANCIS  
MEDICAL OUTREACH  
C-37 - M2-106**

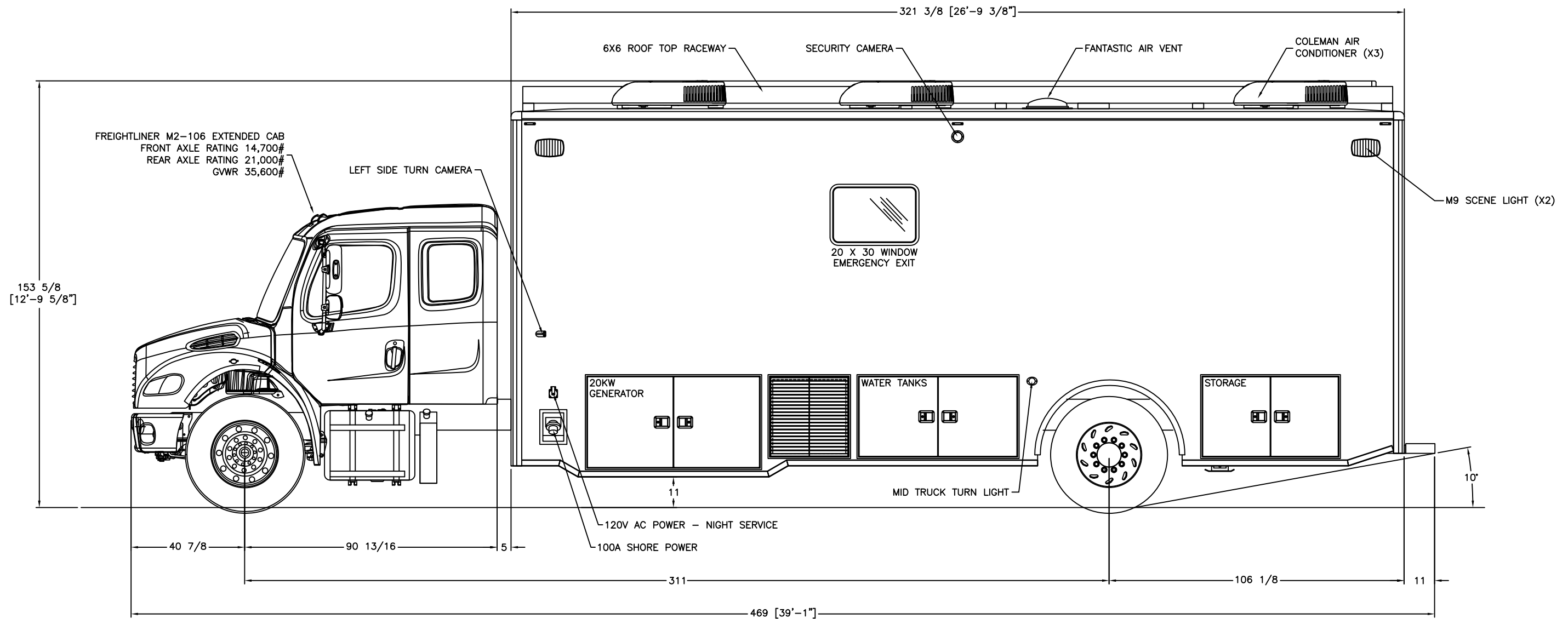
DRAWN **MRS** DATE **1/13/21**  
SHEET **1 OF 6** NOT TO SCALE

SIZE **B** DWG NO. **051597** REV **B**

THIS DRAWING IS THE PROPERTY OF PIERCE MANUFACTURING. IT IS CONFIDENTIAL AND ALL RIGHTS ARE RESERVED. IT SHALL NOT BE REPRODUCED, COPIED, LENT, OR USED FOR ANY PURPOSE OTHER THAN THAT FOR WHICH IT IS SPECIFICALLY FURNISHED.

**BID # XXXXX**  
**REP: STEVE WILLIAMSON**  
**DEALER: Pierce Manufacturing**

**PRELIMINARY USE ONLY**  
THIS DRAWING IS FOR REPRESENTATION ONLY. DETAILED ENGINEERING DRAWINGS WILL BE CREATED FOR MANUFACTURING. CHANGES MAY BE REQUIRED TO ACCOMMODATE MANUFACTURING REQUIREMENTS AND CUSTOMER SPECIFICATIONS.



MANUFACTURING, INC

**SAINT FRANCIS  
MEDICAL OUTREACH  
C-37 - M2-106**

DRAWN **MRS**  
SHEET **2 OF 6**

DATE **1/13/21**  
NOT TO SCALE

SIZE **B**

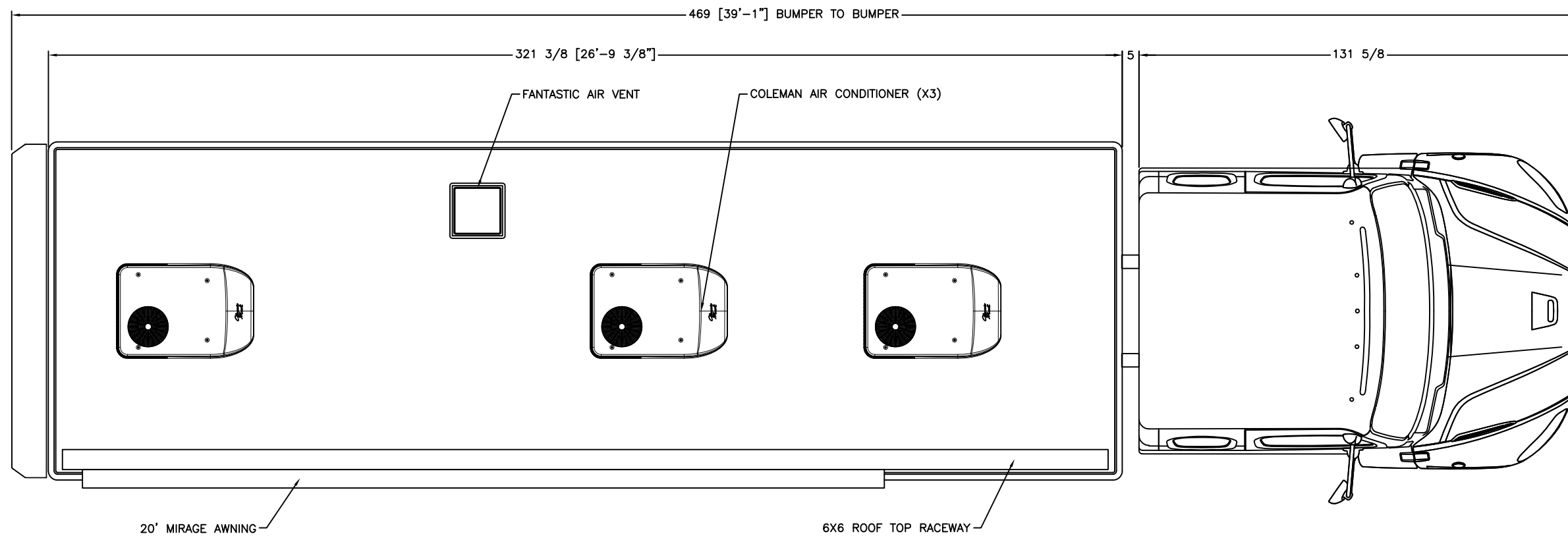
DWG NO. **051597**

REV **B**

THIS DRAWING IS THE PROPERTY OF PIERCE MANUFACTURING. IT IS CONFIDENTIAL AND ALL RIGHTS ARE RESERVED. IT SHALL NOT BE REPRODUCED, COPIED, LENT, OR USED FOR ANY PURPOSE OTHER THAN THAT FOR WHICH IT IS SPECIFICALLY FURNISHED.

**BID # XXXXX**  
**REP: STEVE WILLIAMSON**  
**DEALER: Pierce Manufacturing**

**PRELIMINARY USE ONLY**  
THIS DRAWING IS FOR REPRESENTATION ONLY. DETAILED ENGINEERING DRAWINGS WILL BE CREATED FOR MANUFACTURING. CHANGES MAY BE REQUIRED TO ACCOMMODATE MANUFACTURING REQUIREMENTS AND CUSTOMER SPECIFICATIONS.



MANUFACTURING, INC

**SAINT FRANCIS  
MEDICAL OUTREACH  
C-37 - M2-106**

DRAWN **MRS**  
SHEET **3 OF 6**

DATE **1/13/21**  
NOT TO SCALE

SIZE **B**

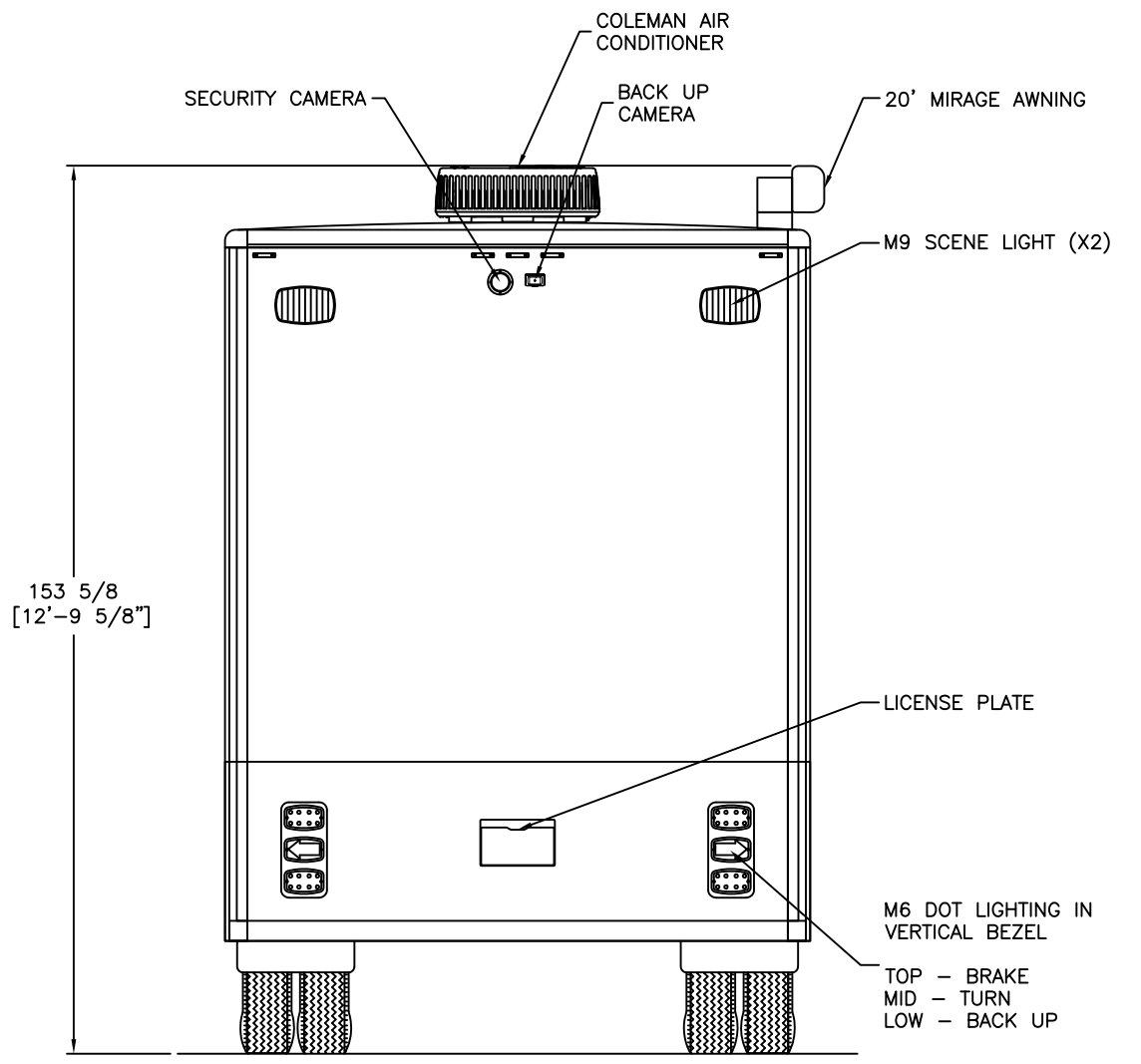
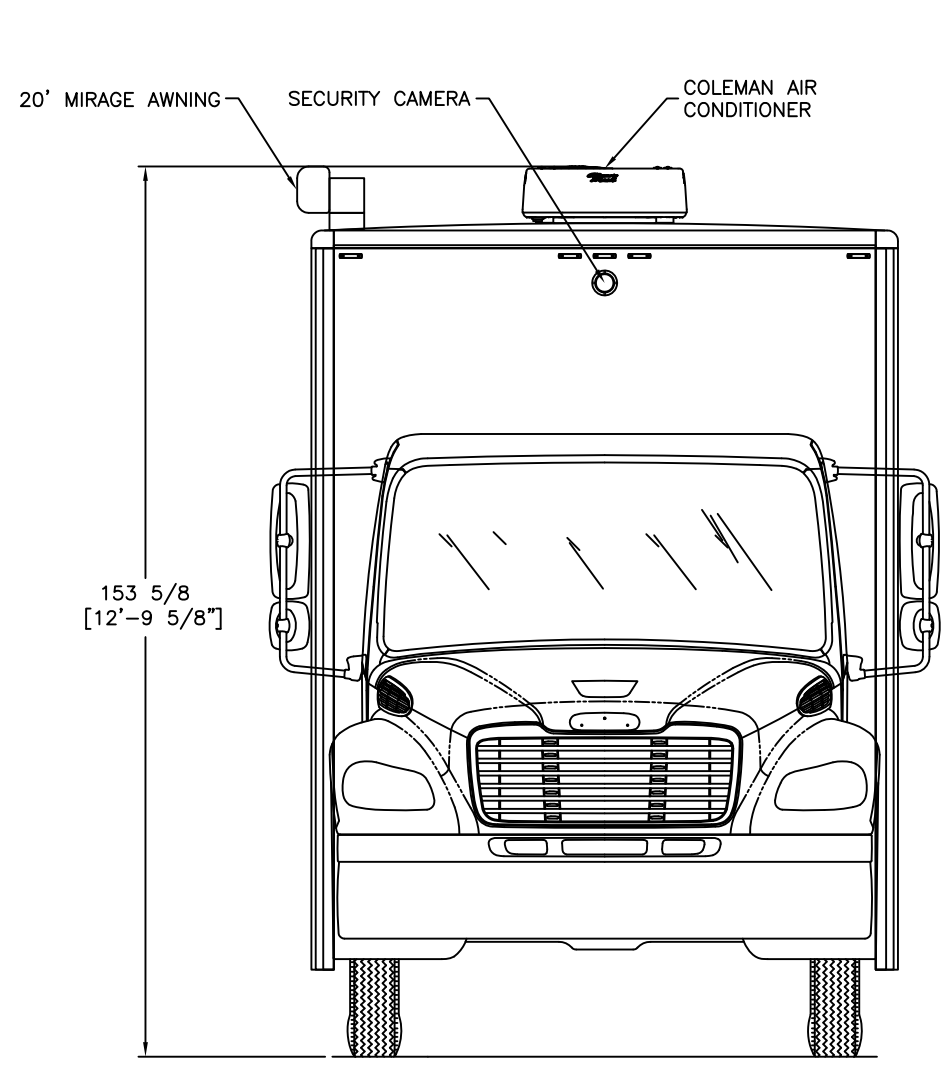
DWG NO. **051597**

REV **B**

**PRELIMINARY USE ONLY**  
THIS DRAWING IS FOR REPRESENTATION ONLY. DETAILED  
ENGINEERING DRAWINGS WILL BE CREATED FOR  
MANUFACTURING. CHANGES MAY BE REQUIRED TO  
ACCOMMODATE MANUFACTURING REQUIREMENTS AND  
CUSTOMER SPECIFICATIONS.

**BID # XXXXX**  
**REP: STEVE WILLIAMSON**  
**DEALER: Pierce Manufacturing**

THIS DRAWING IS THE PROPERTY OF PIERCE  
MANUFACTURING. IT IS CONFIDENTIAL AND ALL RIGHTS ARE  
RESERVED. IT SHALL NOT BE REPRODUCED, COPIED, LENT,  
OR USED FOR ANY PURPOSE OTHER THAN THAT FOR WHICH  
IT IS SPECIFICALLY FURNISHED.



**SAINT FRANCIS  
MEDICAL OUTREACH  
C-37 - M2-106**

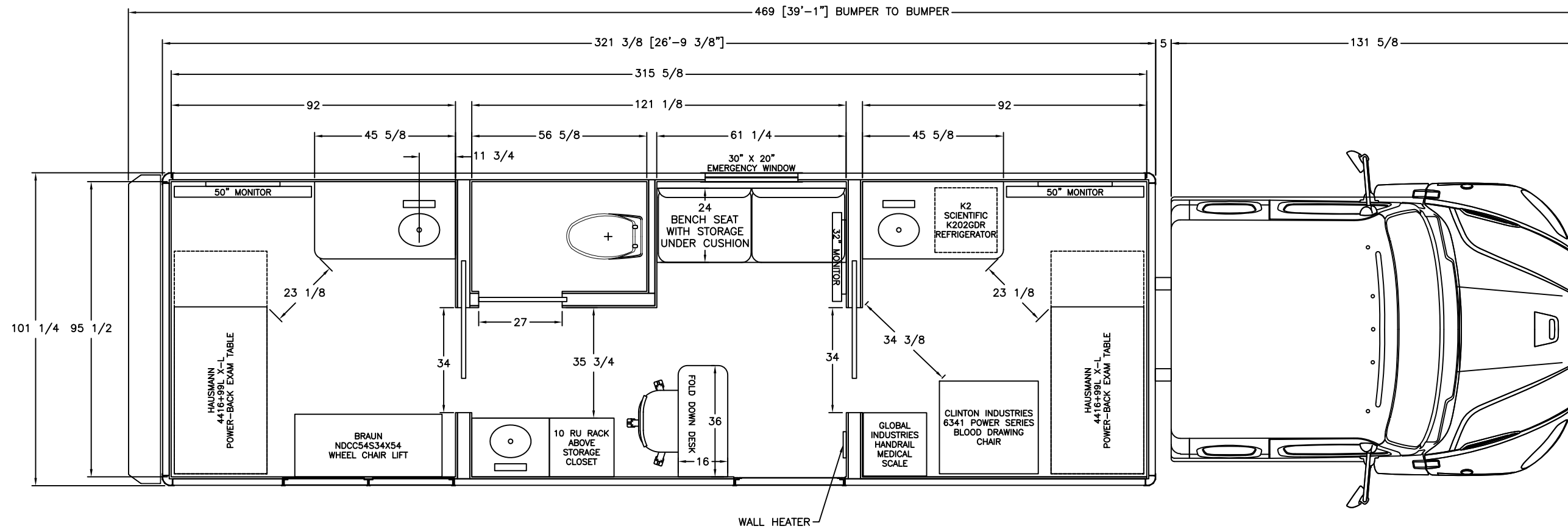
THIS DRAWING IS THE PROPERTY OF PIERCE MANUFACTURING. IT IS CONFIDENTIAL AND ALL RIGHTS ARE RESERVED. IT SHALL NOT BE REPRODUCED, COPIED, LENT, OR USED FOR ANY PURPOSE OTHER THAN THAT FOR WHICH IT IS SPECIFICALLY FURNISHED.

**BID # XXXXX**  
**REP: STEVE WILLIAMSON**  
**DEALER: Pierce Manufacturing**

**PRELIMINARY USE ONLY**  
 THIS DRAWING IS FOR REPRESENTATION ONLY. DETAILED ENGINEERING DRAWINGS WILL BE CREATED FOR MANUFACTURING. CHANGES MAY BE REQUIRED TO ACCOMMODATE MANUFACTURING REQUIREMENTS AND CUSTOMER SPECIFICATIONS.

**DRAWN MRS**      **DATE 1/13/21**  
**SHEET 4 OF 6**      **NOT TO SCALE**

<b>SIZE B</b>	<b>DWG NO. 051597</b>	<b>REV B</b>
---------------	-----------------------	--------------



MANUFACTURING, INC

**SAINT FRANCIS  
MEDICAL OUTREACH  
C-37 - M2-106**

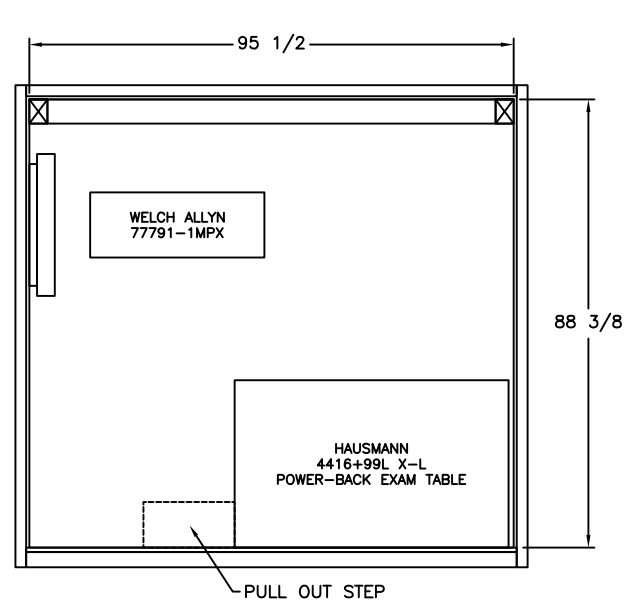
DRAWN	MRS	DATE	1/13/21
SHEET	5 OF 6	NOT TO SCALE	

SIZE	DWG NO.	REV
<b>B</b>	<b>051597</b>	<b>B</b>

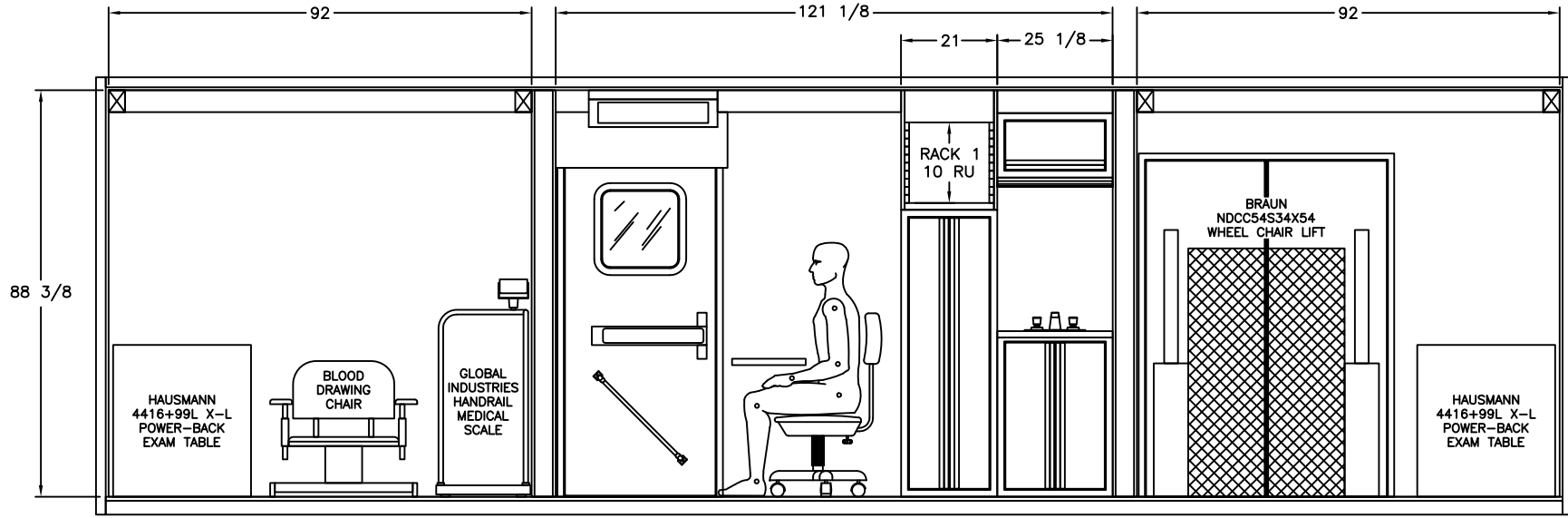
THIS DRAWING IS THE PROPERTY OF PIERCE MANUFACTURING. IT IS CONFIDENTIAL AND ALL RIGHTS ARE RESERVED. IT SHALL NOT BE REPRODUCED, COPIED, LENT, OR USED FOR ANY PURPOSE OTHER THAN THAT FOR WHICH IT IS SPECIFICALLY FURNISHED.

**BID # XXXXX**  
**REP: STEVE WILLIAMSON**  
**DEALER: Pierce Manufacturing**

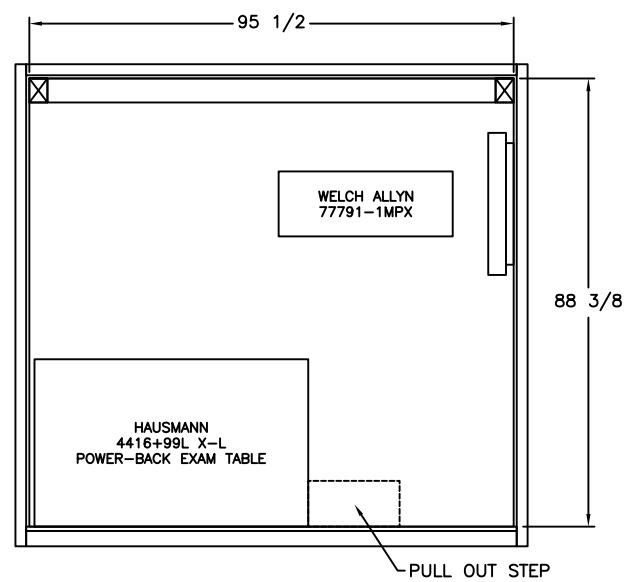
**PRELIMINARY USE ONLY**  
 THIS DRAWING IS FOR REPRESENTATION ONLY. DETAILED ENGINEERING DRAWINGS WILL BE CREATED FOR MANUFACTURING. CHANGES MAY BE REQUIRED TO ACCOMMODATE MANUFACTURING REQUIREMENTS AND CUSTOMER SPECIFICATIONS.



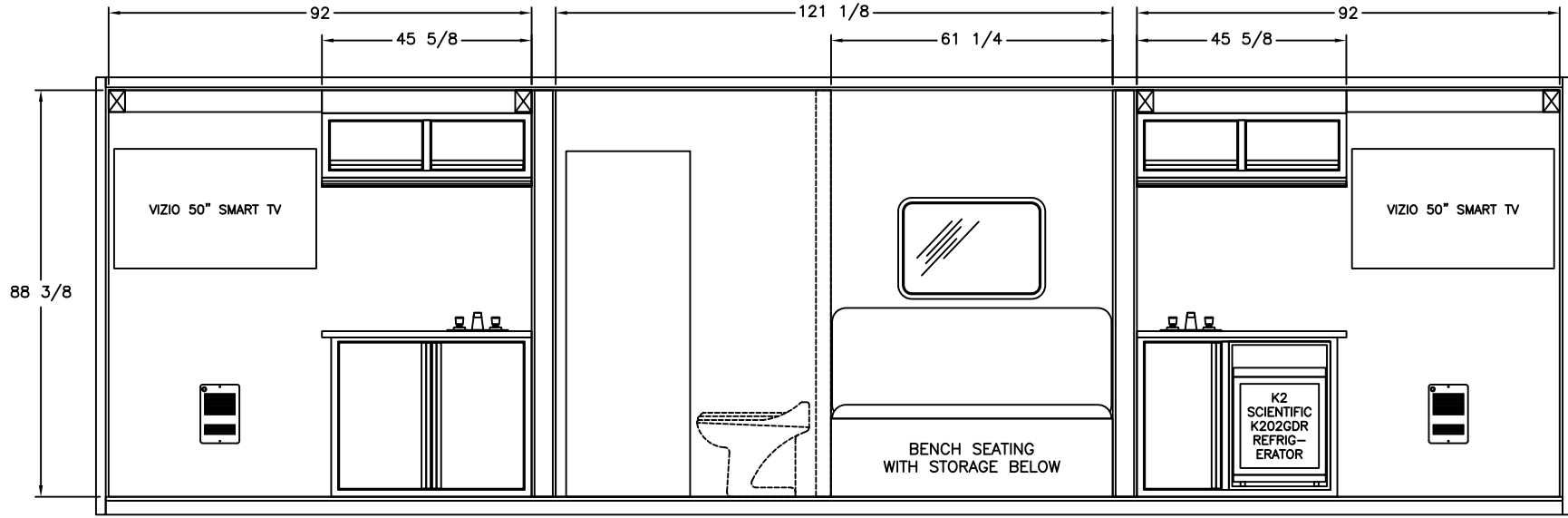
FRONT WALL ELEVATION



CURBSIDE WALL ELEVATION



REAR WALL ELEVATION



STREET SIDE WALL ELEVATION



**SAINT FRANCIS  
MEDICAL OUTREACH  
C-37 - M2-106**

THIS DRAWING IS THE PROPERTY OF PIERCE MANUFACTURING. IT IS CONFIDENTIAL AND ALL RIGHTS ARE RESERVED. IT SHALL NOT BE REPRODUCED, COPIED, LENT, OR USED FOR ANY PURPOSE OTHER THAN THAT FOR WHICH IT IS SPECIFICALLY FURNISHED.

**BID # XXXXX**  
**REP: STEVE WILLIAMSON**  
**DEALER: Pierce Manufacturing**

**PRELIMINARY USE ONLY**  
THIS DRAWING IS FOR REPRESENTATION ONLY. DETAILED ENGINEERING DRAWINGS WILL BE CREATED FOR MANUFACTURING. CHANGES MAY BE REQUIRED TO ACCOMMODATE MANUFACTURING REQUIREMENTS AND CUSTOMER SPECIFICATIONS.

**MANUFACTURING, INC**  
DRAWN **MRS** DATE **1/13/21**  
SHEET **6 OF 6** NOT TO SCALE

SIZE **B** DWG NO. **051597** REV **B**