

THIS DRAWING IS THE PROPERTY OF PIERCE MANUFACTURING. IT IS CONFIDENTIAL AND ALL RIGHTS ARE RESERVED. IT SHALL NOT BE REPRODUCED, COPIED, LENT, OR USED FOR ANY PURPOSE OTHER THAN THAT FOR WHICH IT IS SPECIFICALLY FURNISHED.

BID # 208
 REP: Andy Callaway - Frontline Communications
 DEALER: Ryan Wright - Golden State Fire

PRELIMINARY USE ONLY
 THIS DRAWING IS FOR REPRESENTATION ONLY. DETAILED ENGINEERING DRAWINGS WILL BE CREATED FOR MANUFACTURING. CHANGES MAY BE REQUIRED TO ACCOMMODATE MANUFACTURING REQUIREMENTS AND CUSTOMER SPECIFICATIONS.

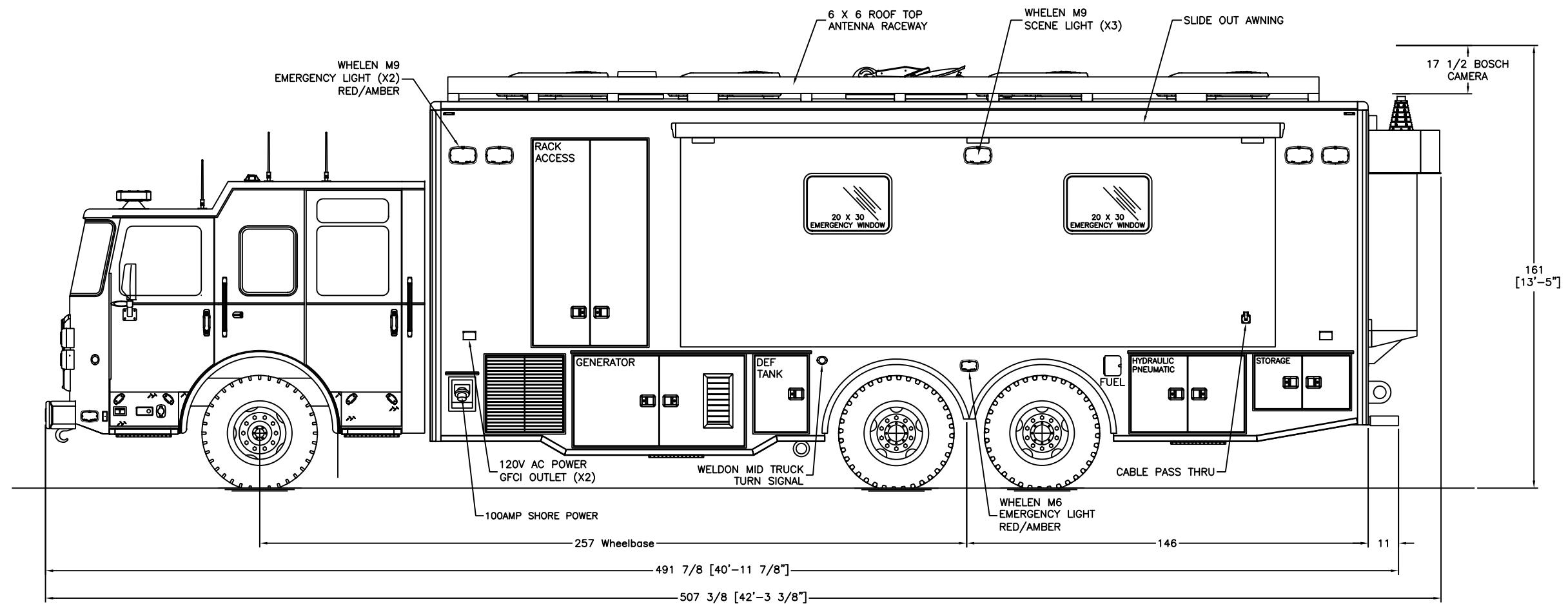
FRONTLINE
COMMUNICATIONS

A Division of Pierce Manufacturing Inc.

DRAWN	JRP	DATE	05/01/24
SHEET	1 OF 6	NOT TO SCALE	

CAL OES
 MOBILE COMMAND UNIT
 ENFORCER 6010 C-40 X-2

SIZE	DWG NO.	REV
B	054146	A



THIS DRAWING IS THE PROPERTY OF PIERCE MANUFACTURING. IT IS CONFIDENTIAL AND ALL RIGHTS ARE RESERVED. IT SHALL NOT BE REPRODUCED, COPIED, LENT, OR USED FOR ANY PURPOSE OTHER THAN THAT FOR WHICH IT IS SPECIFICALLY FURNISHED.

BID # 208
REP: Andy Callaway - Frontline Communications
DEALER: Ryan Wright - Golden State Fire

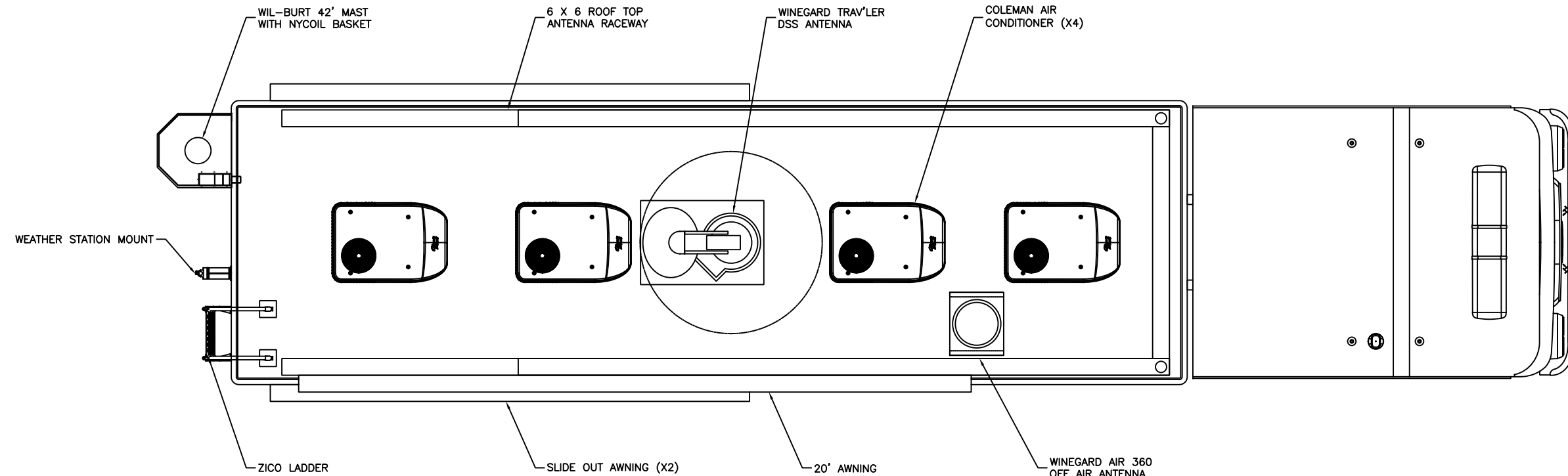
PRELIMINARY USE ONLY
 THIS DRAWING IS FOR REPRESENTATION ONLY. DETAILED ENGINEERING DRAWINGS WILL BE CREATED FOR MANUFACTURING. CHANGES MAY BE REQUIRED TO ACCOMMODATE MANUFACTURING REQUIREMENTS AND CUSTOMER SPECIFICATIONS.

FRONTLINE
COMMUNICATIONS
 A Division of Pierce Manufacturing Inc.

CAL OES
MOBILE COMMAND UNIT
ENFORCER 6010 C-40 X-2

DRAWN	JRP	DATE	05/01/24
SHEET	2 OF 6	NOT TO SCALE	

SIZE	DWG NO.	REV
B	054146	A



THIS DRAWING IS THE PROPERTY OF PIERCE MANUFACTURING. IT IS CONFIDENTIAL AND ALL RIGHTS ARE RESERVED. IT SHALL NOT BE REPRODUCED, COPIED, LENT, OR USED FOR ANY PURPOSE OTHER THAN THAT FOR WHICH IT IS SPECIFICALLY FURNISHED.

BID # 208
 REP: Andy Callaway - Frontline Communications
 DEALER: Ryan Wright - Golden State Fire

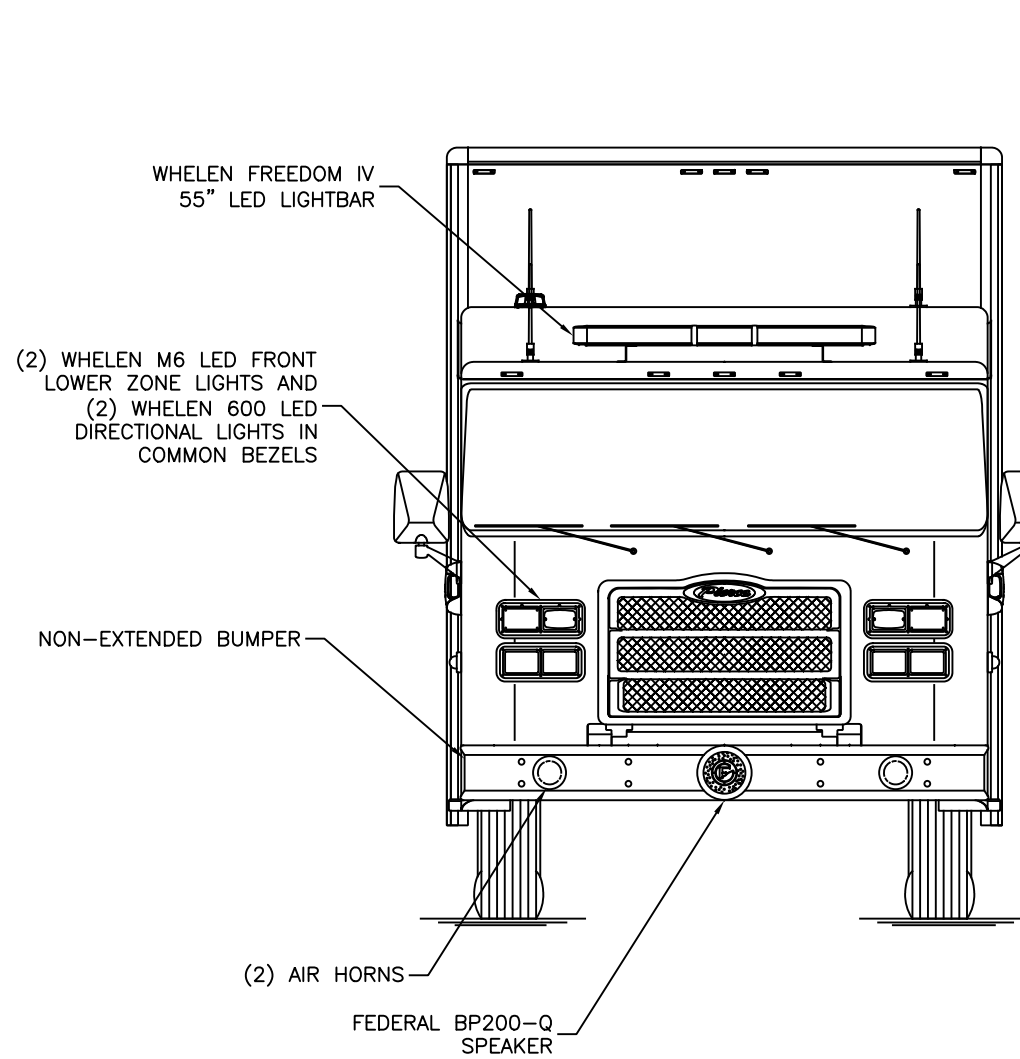
PRELIMINARY USE ONLY
 THIS DRAWING IS FOR REPRESENTATION ONLY. DETAILED ENGINEERING DRAWINGS WILL BE CREATED FOR MANUFACTURING. CHANGES MAY BE REQUIRED TO ACCOMMODATE MANUFACTURING REQUIREMENTS AND CUSTOMER SPECIFICATIONS.

FRONTLINE
 COMMUNICATIONS
 A Division of Pierce Manufacturing Inc.

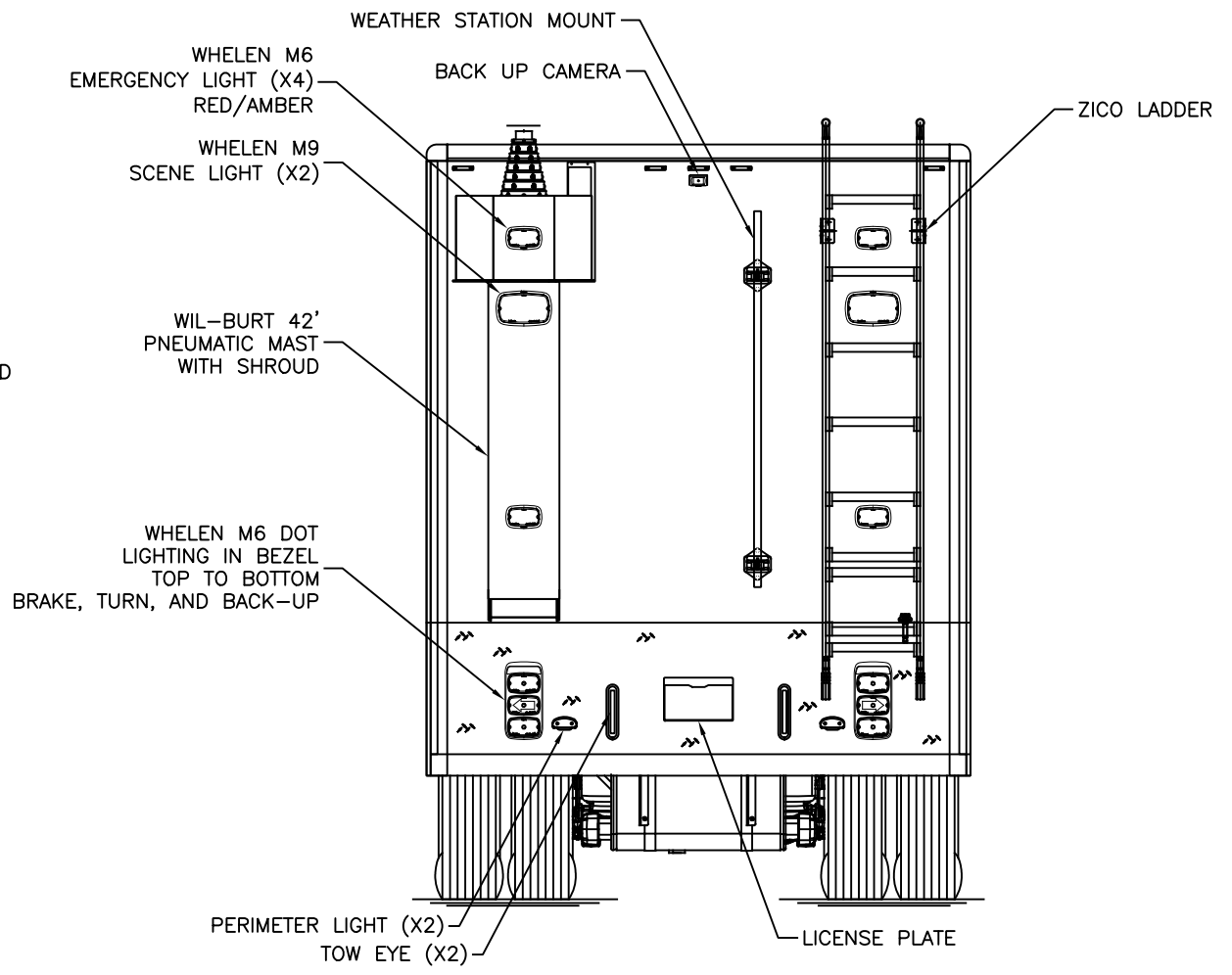
CAL OES
 MOBILE COMMAND UNIT
 ENFORCER 6010 C-40 X-2

DRAWN	JRP	DATE	05/01/24
SHEET	3 OF 6	NOT TO SCALE	

SIZE	DWG NO.	REV
B	054146	A



(2) RAMCO 1350 HEATED
REMOTE MIRRORS WITH
CONVEX SECTION



THIS DRAWING IS THE PROPERTY OF PIERCE
MANUFACTURING. IT IS CONFIDENTIAL AND ALL RIGHTS ARE
RESERVED. IT SHALL NOT BE REPRODUCED, COPIED, LENT,
OR USED FOR ANY PURPOSE OTHER THAN THAT FOR WHICH
IT IS SPECIFICALLY FURNISHED.

BID # 208
 REP: Andy Callaway - Frontline Communications
 DEALER: Ryan Wright - Golden State Fire

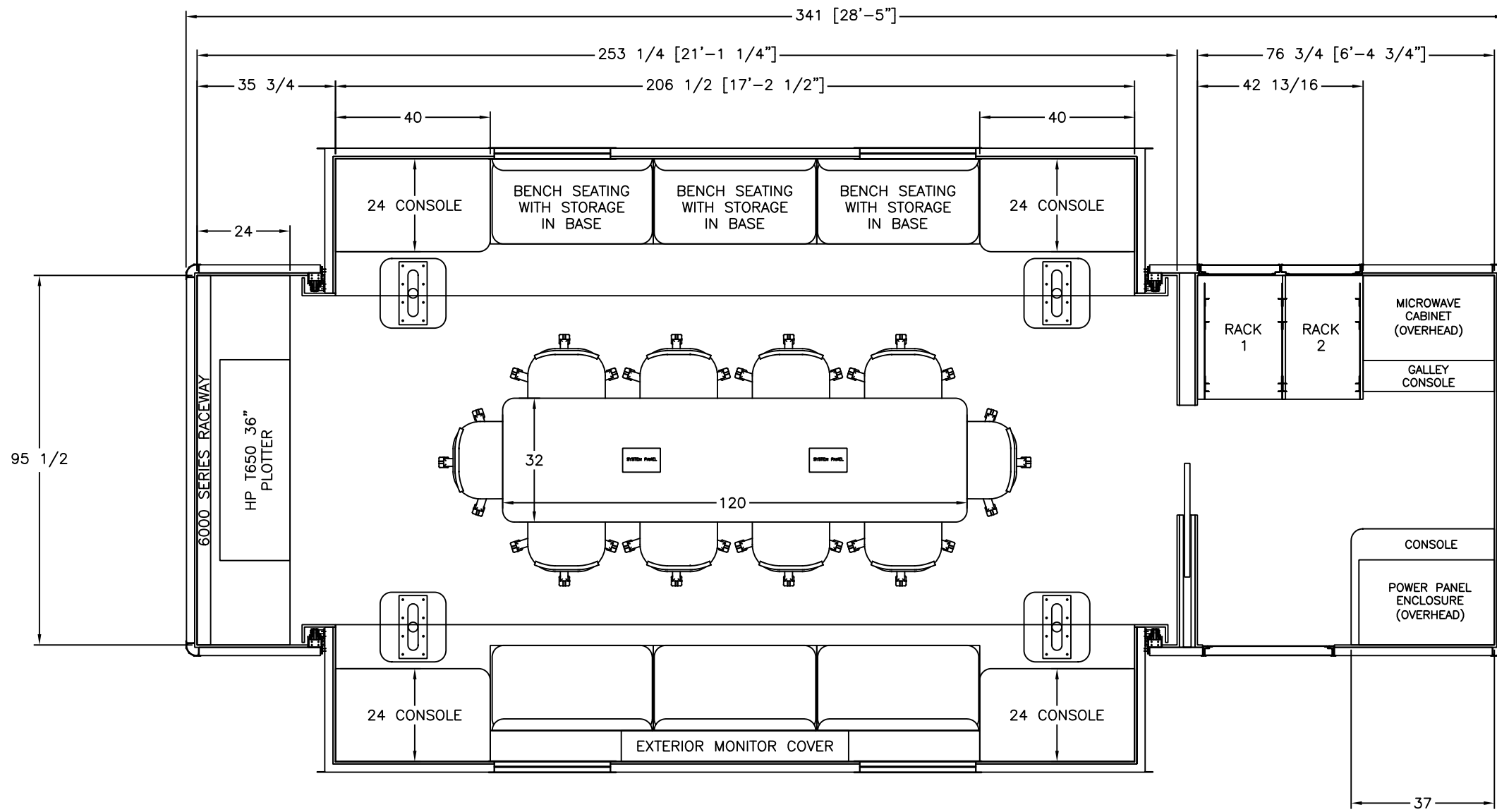
PRELIMINARY USE ONLY
 THIS DRAWING IS FOR REPRESENTATION ONLY. DETAILED
 ENGINEERING DRAWINGS WILL BE CREATED FOR
 MANUFACTURING. CHANGES MAY BE REQUIRED TO
 ACCOMMODATE MANUFACTURING REQUIREMENTS AND
 CUSTOMER SPECIFICATIONS.

FRONTLINE
 COMMUNICATIONS
 A Division of Pierce Manufacturing Inc.

CAL OES
 MOBILE COMMAND UNIT
 ENFORCER 6010 C-40 X-2

DRAWN	JRP	DATE	05/01/24
SHEET	4 OF 6	NOT TO SCALE	

SIZE	DWG NO.	REV
B	054146	A



NOTES:

- 1) CONSOLES - BLACK MICA COVERED PLYWOOD
- 2) CABINETS WILL BE GRAY WITH WHITE DRY ERASE DOORS
- 3) RACKS TO INCLUDE REMOVALBE MESH DOORS
- 4) WALLS AND CEILING COVERED IN GRAY CARPET
- 5) FLOORING BLACK LONSEAL
- 6) RACEWAY WILL BE GRAY

THIS DRAWING IS THE PROPERTY OF PIERCE MANUFACTURING. IT IS CONFIDENTIAL AND ALL RIGHTS ARE RESERVED. IT SHALL NOT BE REPRODUCED, COPIED, LENT, OR USED FOR ANY PURPOSE OTHER THAN THAT FOR WHICH IT IS SPECIFICALLY FURNISHED.

BID # 208
REP: Andy Callaway - Frontline Communications
DEALER: Ryan Wright - Golden State Fire

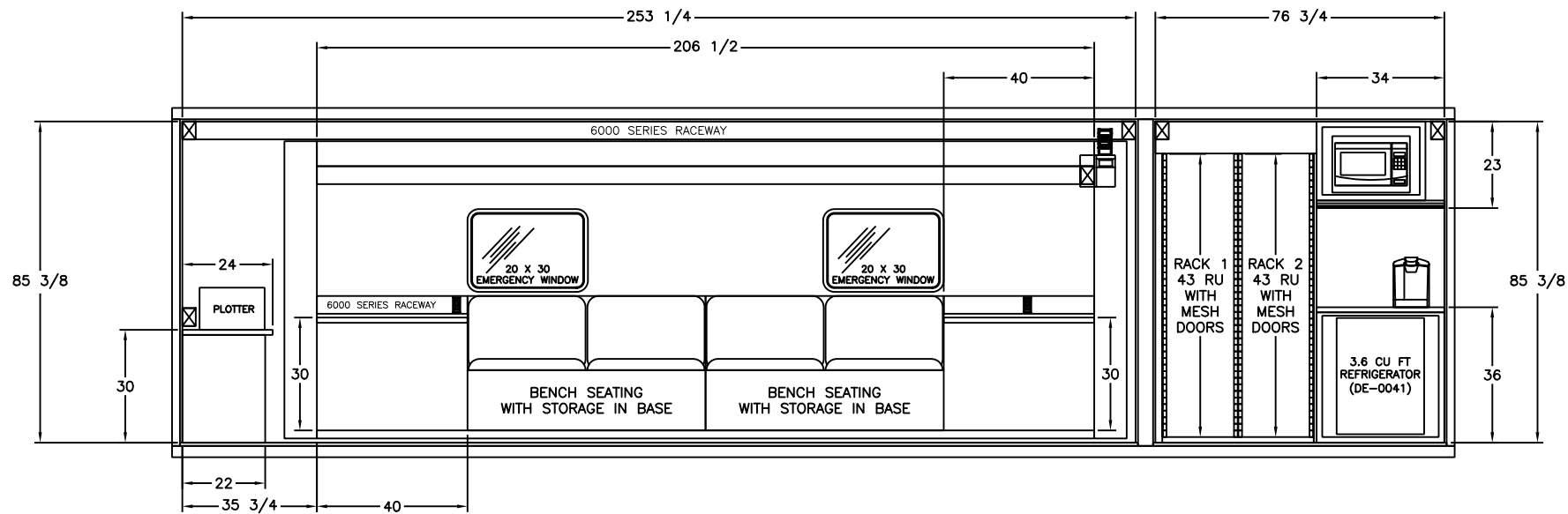
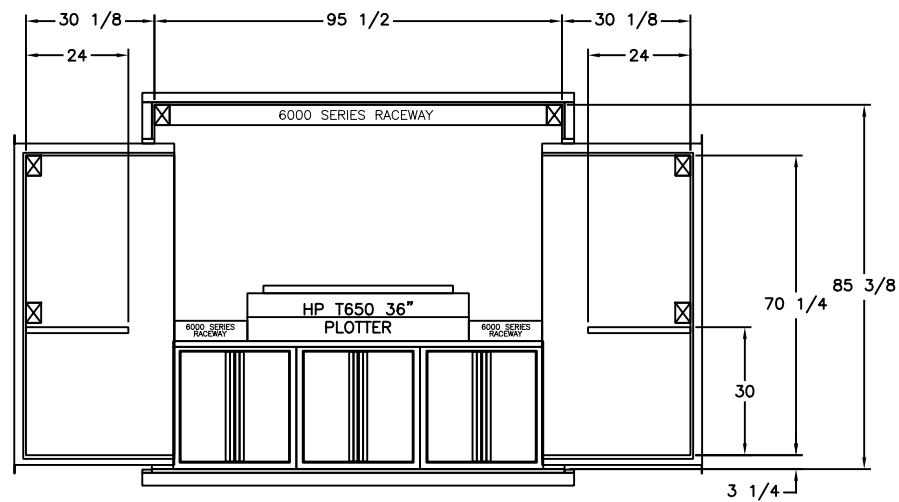
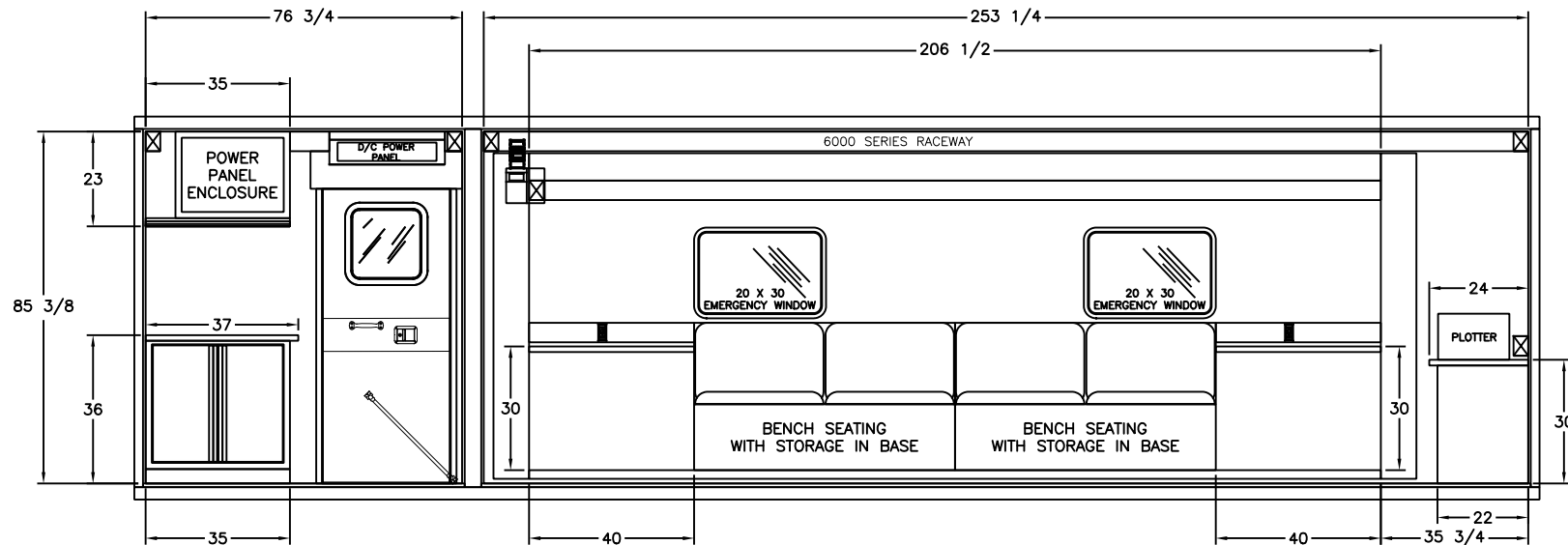
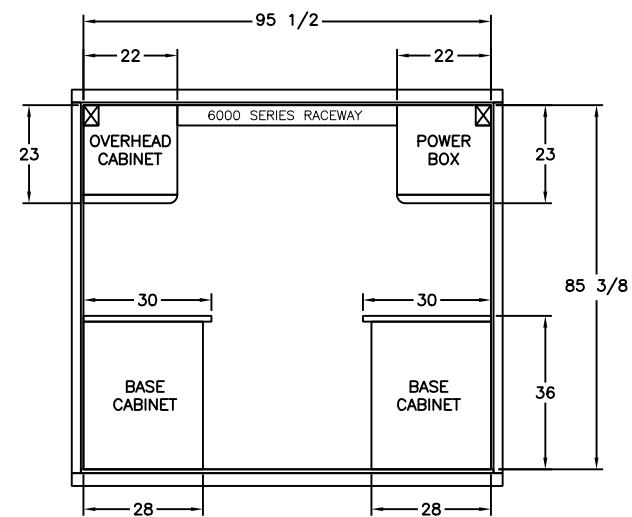
PRELIMINARY USE ONLY
 THIS DRAWING IS FOR REPRESENTATION ONLY. DETAILED ENGINEERING DRAWINGS WILL BE CREATED FOR MANUFACTURING. CHANGES MAY BE REQUIRED TO ACCOMMODATE MANUFACTURING REQUIREMENTS AND CUSTOMER SPECIFICATIONS.



DRAWN **JRP** DATE **05/01/24**
 SHEET **5 OF 6** NOT TO SCALE

CAL OES
MOBILE COMMAND UNIT
ENFORCER 6010 C-40 X-2

SIZE **B** DWG NO. **054146** REV **A**



THIS DRAWING IS THE PROPERTY OF PIERCE MANUFACTURING. IT IS CONFIDENTIAL AND ALL RIGHTS ARE RESERVED. IT SHALL NOT BE REPRODUCED, COPIED, LENT, OR USED FOR ANY PURPOSE OTHER THAN THAT FOR WHICH IT IS SPECIFICALLY FURNISHED.

BID # 208

REP: Andy Callaway - Frontline Communications

DEALER: Ryan Wright - Golden State Fire

PRELIMINARY USE ONLY

THIS DRAWING IS FOR REPRESENTATION ONLY. DETAILED ENGINEERING DRAWINGS WILL BE CREATED FOR MANUFACTURING. CHANGES MAY BE REQUIRED TO ACCOMMODATE MANUFACTURING REQUIREMENTS AND CUSTOMER SPECIFICATIONS.

FRONTLINE
COMMUNICATIONS

A Division of Pierce Manufacturing Inc.

DRAWN

JRP

DATE

05/01/24

SHEET

6 OF 6

NOT TO SCALE

SIZE

B

DWG NO.

054146

REV

A

CAL OES
MOBILE COMMAND UNIT
ENFORCER 6010 C-40 X-2