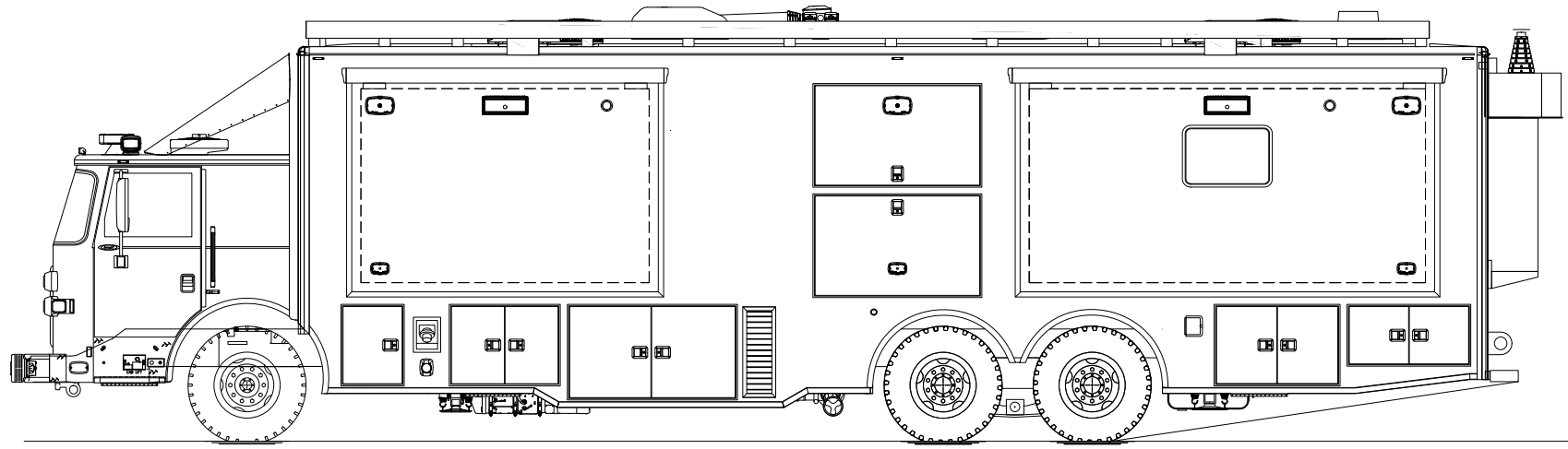
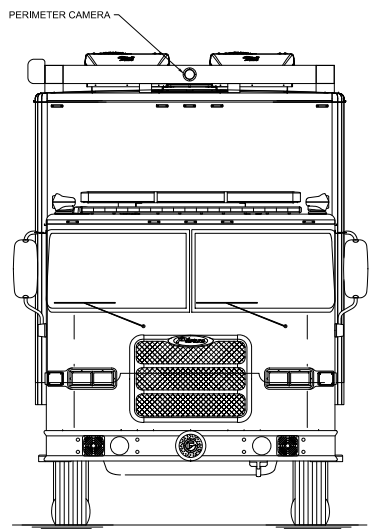
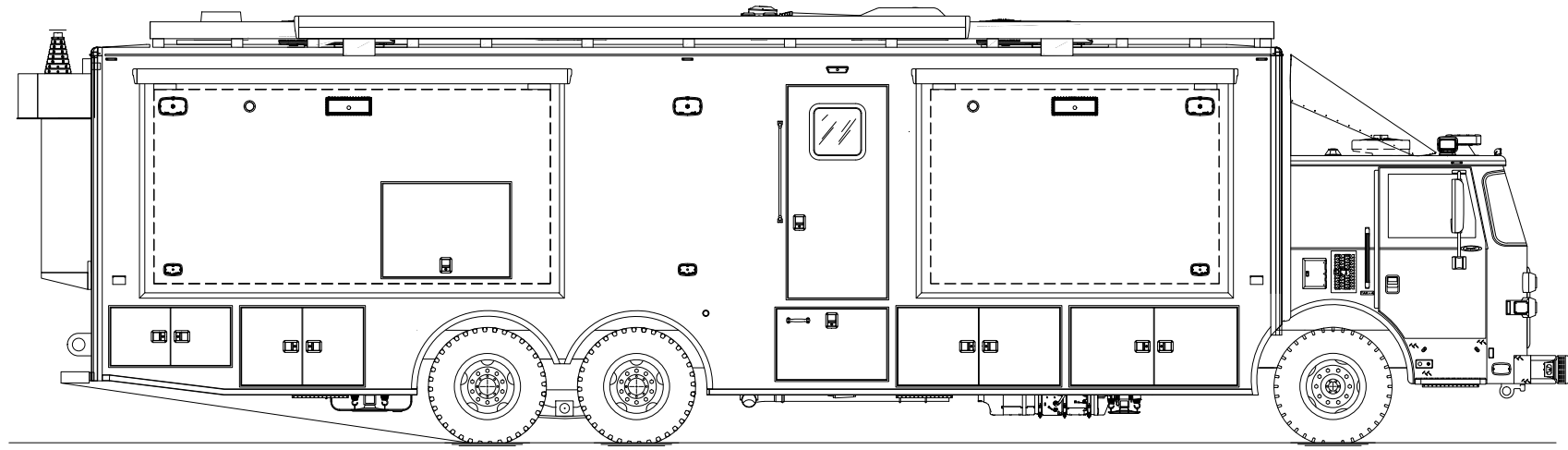
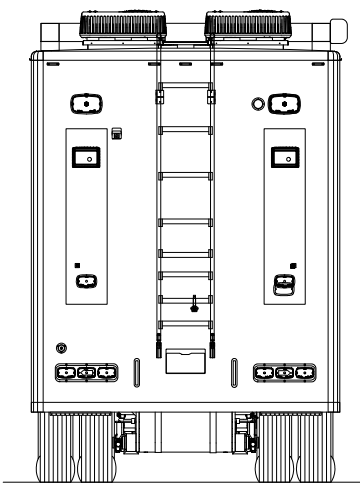
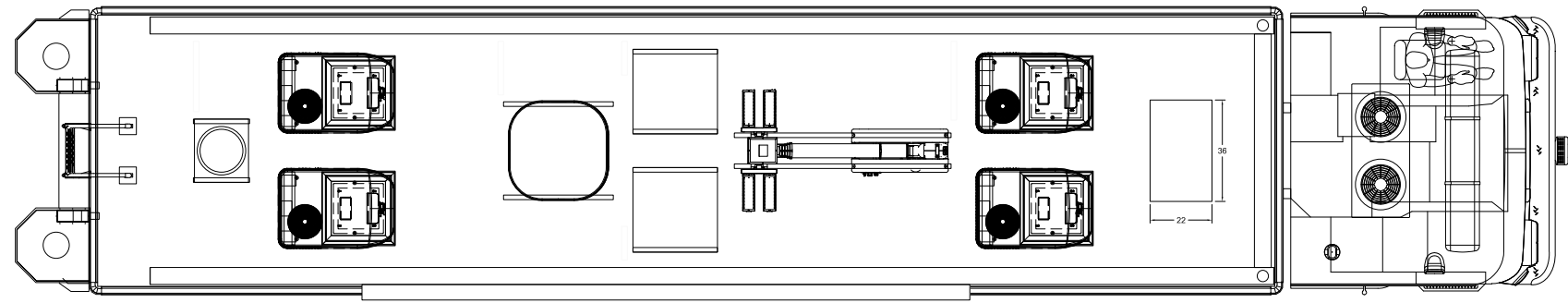


REVISIONS					
CHK DATE	CHK BY	DESCRIPTION	DATE	BY	REV
11/25/24	MD	INITIAL RELEASE	11/25/24	JRP	00



DO NOT SCALE THIS DRAWING
 DIMENSIONS ARE IN INCHES
 UNLESS OTHERWISE SPECIFIED

TOLERANCES:
 ANGULAR: ± 1° BEND: ± 1"
 2 PLACE DECIMAL ± .010
 3 PLACE DECIMAL ± .005
 FRACTIONS ± 1/16

MATERIAL
N/A

FINISH
N/A

FRONTLINE COMMUNICATIONS
 A Division of Pierce Manufacturing Inc.

12770 44th Street North
 Clearwater, FL. 33762-4713
 (727) 573-0400
 FAX (727) 571-3295

EXTERIOR LAYOUT

THIS DRAWING IS THE PROPERTY OF FRONTLINE COMMUNICATIONS CORPORATION. IT IS CONFIDENTIAL AND ALL RIGHTS ARE RESERVED. IT SHALL NOT BE REPRODUCED, COPIED, LENT, NOR USED FOR ANY PURPOSE OTHER THAN THAT FOR WHICH IT IS SPECIFICALLY FURNISHED.

JOB NUMBER OR PRODUCT LINE
91992

SHEET
1 OF 1

SCALE
NTS

DRAWN BY
JRP

CHECKED BY
MD

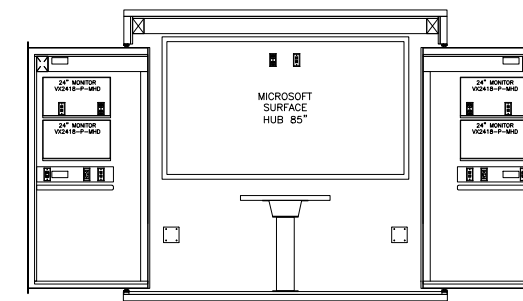
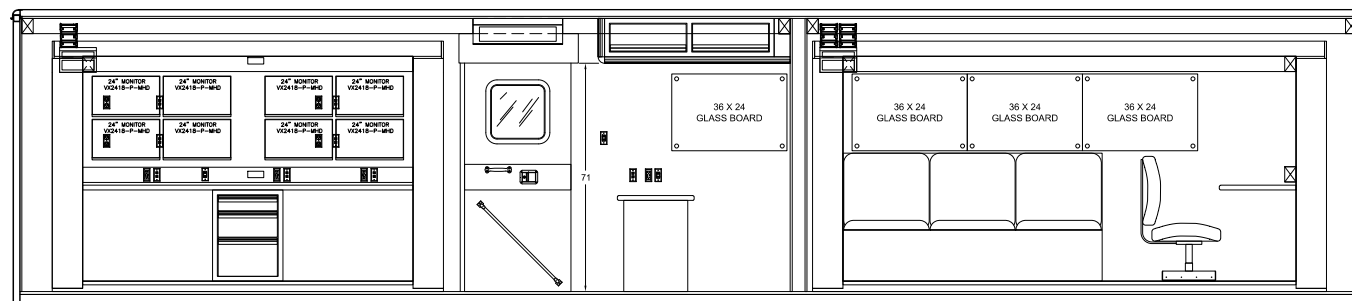
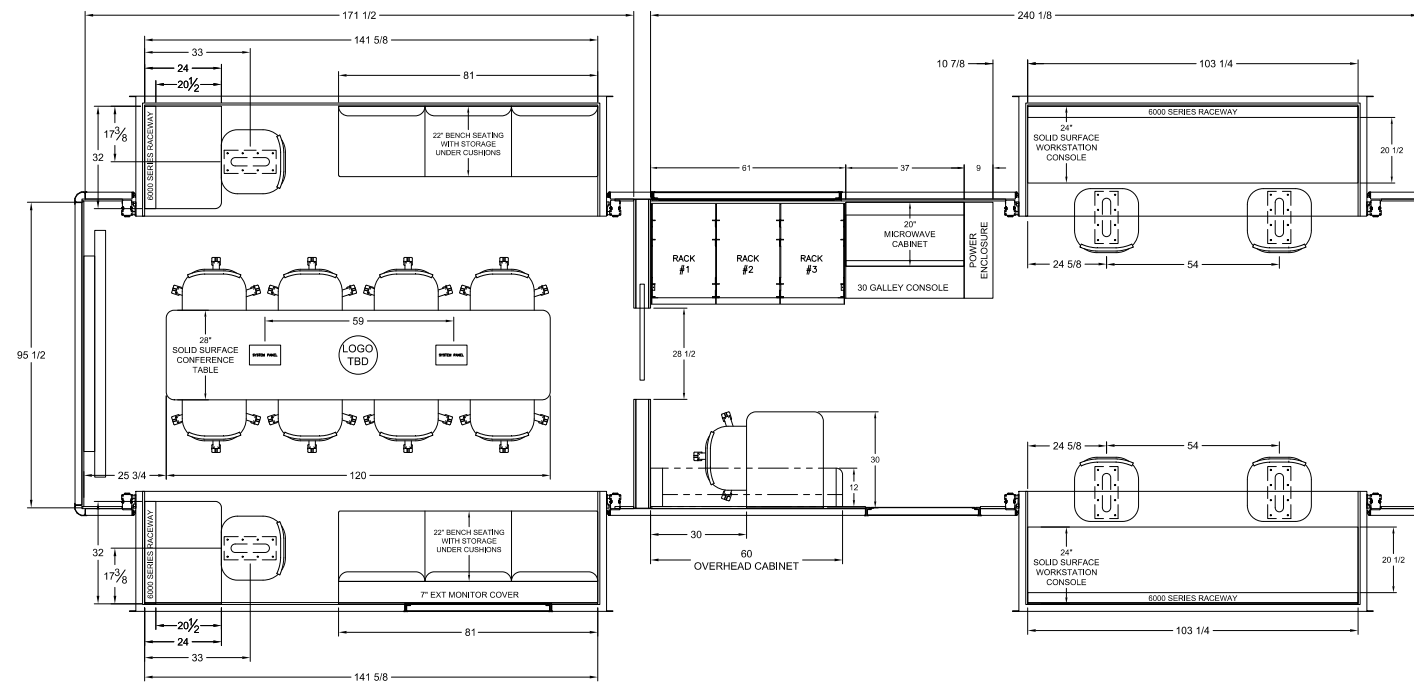
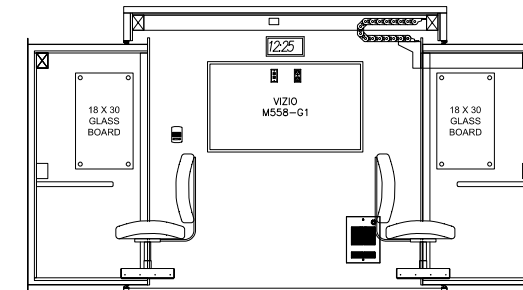
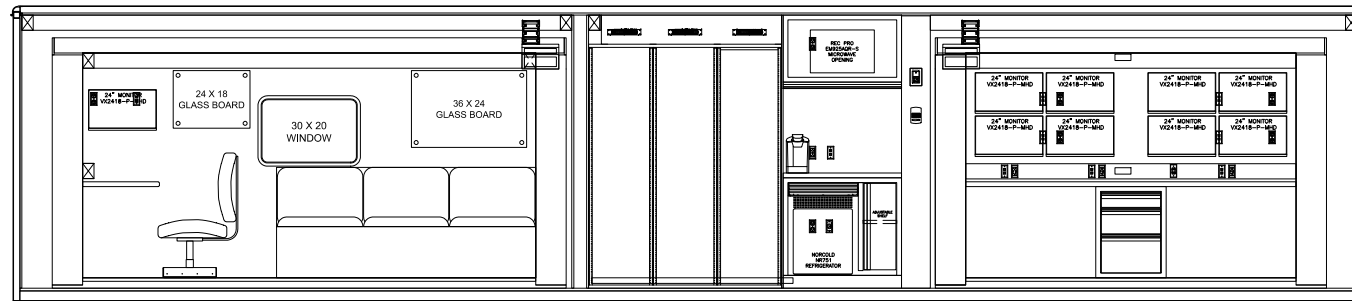
DATE
11/25/24

DATE
11/25/24

SIZE
B

DWG NO.
91992-EXTERIORS

REVISIONS					
CHK DATE	CHK BY	DESCRIPTION	DATE	BY	REV
11/25/24	MD	INITIAL RELEASE	11/25/24	JRP	00



DO NOT SCALE THIS DRAWING
 DIMENSIONS ARE IN INCHES
 UNLESS OTHERWISE SPECIFIED

TOLERANCES:
 ANGULAR: ± 1° BEND: ± 1"
 2 PLACE DECIMAL ± .010
 3 PLACE DECIMAL ± .005
 FRACTIONS ± 1/16

MATERIAL
N/A

FINISH
N/A

FRONTLINE COMMUNICATIONS
 A Division of Pierce Manufacturing Inc.

12770 44th Street North
 Clearwater, FL 33762-4713
 (727) 573-0400
 FAX (727) 571-3295

EXTERIOR LAYOUT

THIS DRAWING IS THE PROPERTY OF FRONTLINE COMMUNICATIONS CORPORATION. IT IS CONFIDENTIAL AND ALL RIGHTS ARE RESERVED. IT SHALL NOT BE REPRODUCED, COPIED, LENT, NOR USED FOR ANY PURPOSE OTHER THAN THAT FOR WHICH IT IS SPECIFICALLY FURNISHED.

JOB NUMBER OR PRODUCT LINE
91992

SHEET
1 OF 1

SCALE
NTS

DRAWN BY
JRP

CHECKED BY
MD

DATE
11/25/24

DATE
11/25/24

SIZE
B

DWG NO.
91992-INTEIORS